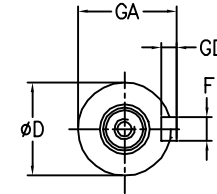
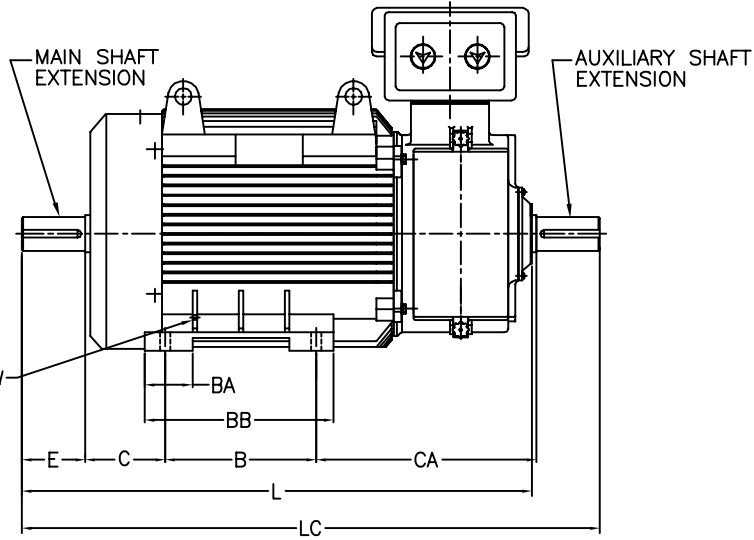
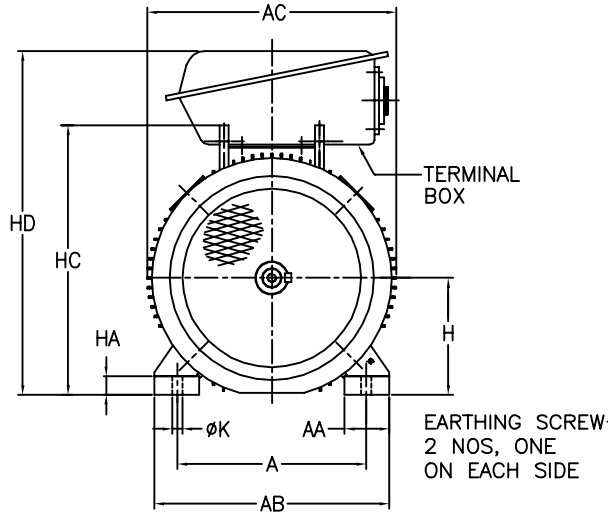


IF IN DOUBT ASK.....**MME**

DO NOT SCALE THE DRAWING

ALL DIMENSIONS ARE IN mm UNLESS OTHERWISE STATED



SHAFT EXTENSION DETAILS

NOTE:-

1. TOLERANCE ON 'H': +0.0 / -1.0
2. DIMENSIONS ARE AS PER IS:8223
3. TERMINAL BOX CAN BE ROTATED THROUGH 360° IN STEPS OF 90°.
4. DEGREE OF PROTECTION IP:55.
5. MAIN AND AUXILIARY SHAFT EXTENSIONS ARE IDENTICAL.
6. TOLERANCE ON "D" : m6.
7. PROTECTED CENTER HOLE WILL BE AS PER IS:2540 AT BOTH SHAFT EXTENSIONS - M24X50.

ID355L	610	630	254	100	210	28	106	16	355	28	1715	1935	125	710	200	780	705	631	55	720	1015	2100	2300	2200	930	1225	NU322C3	6322C3
ID355M	610	560	254	100	210	28	106	16	355	28	1645	1865	125	710	200	710	705	631	55	720	1015	1975	2175	2100	930	1225	NU322C3	6322C3
FRAME	A	B	C	D	E	F	GA	GD	H	K	L	LC	AA	AB	BA	BB	AC	CA	HA	HC	HD	NETT	GROSS	Ln	Br	Ht	DE	NDE
																						WEIGHT IN kg	SHIPPING DIMNS.			BEARINGS		

										CUSTOMER / O/A No.										SCALE NTS		DRAWN		30/03/09					
										USED ON / TYPE CRANE DUTY MOTORS TOP TERMINAL BOX (IM1002)										CHECKED		30/03/09		30/03/09					
										TITLE: DIMENSIONAL DRAWING										APPROVED		30/03/09		30/03/09					
REV. ZONE										BRIEF RECORD										SIGNATURE		DATE		31100798					
MKTG. AC MOTORS										ALL INFORMATION CONTAINED IN THIS DOCUMENT IS CONFIDENTIAL AND THE PROPERTY OF KIRLOSKAR ELECTRIC CO. LTD. REPRODUCTION OF THESE IN ANY FORM IS TO BE DONE WITH THE SPECIFIC PERMISSION OF THE COMPANY.										DRAWING No.		FROM DT.		SIGN & DATE.		SHEET No. ONE OF ONE			
PRINTS ISSUED TO										THIS IS SUPERSEDED BY										KIRLOSKAR ELECTRIC COMPANY LTD. BANGALORE - 560055 (INDIA)									

FORM No. 11401038