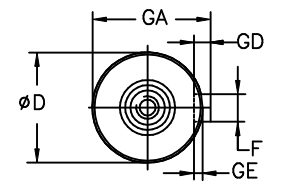
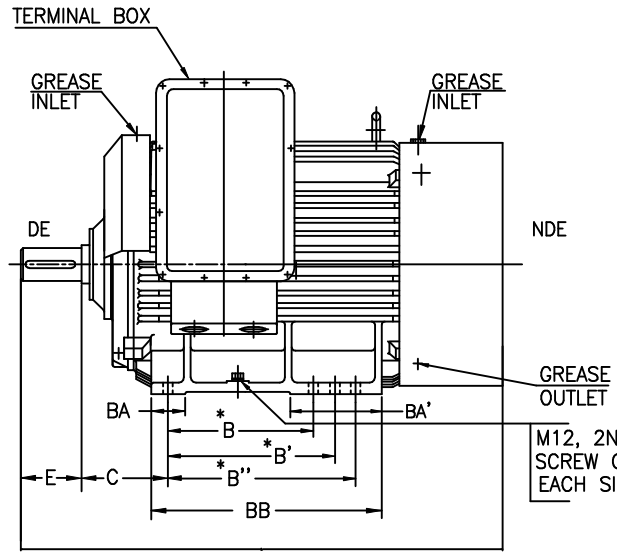
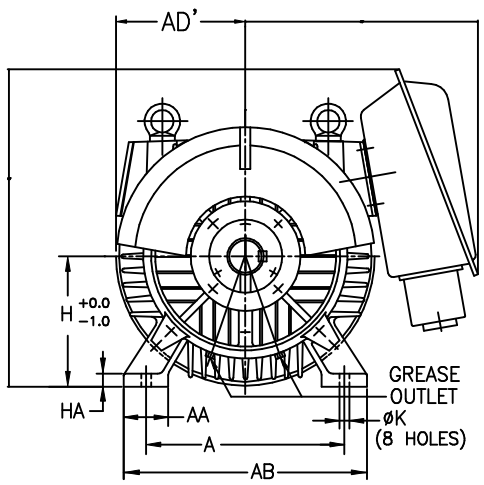


AS PER KSD-02-027

SURFACE ROUGHNESS (MAXIMUM)	Ra (µm)	0.025	0.05	0.1	0.2	0.4	0.6	0.8	1.6	3.2	6.3	12.5	25	50
	OLD	NEW												



SHAFT EXTENSION DETAILS

M12, 2NOS. EARTHING SCREW ONE ON EACH SIDE.

- NOTE:-
1. MOTOR CONFORMS TO IS:325
 2. DEGREE OF PROTECTION: IP:55
 3. TOLERANCE ON "D" : m6.
 4. PROTECTED CENTER HOLE "M24X50" DEEP FOR 4P & ABOVE, "M20X40" DEEP FOR 2P AS PER IS:2540 AT SHAFT EXTENSION.
 5. TERMINAL BOX IS ROTATABLE THROUGH 360° IN STEPS OF 90°
 - * 6. 3 PAIRS OF MOUNTING HOLES ARE PROVIDED ON MOTOR AT NDE SIDE. CUSTOMER CAN CHOOSE ANY ONE PAIR OF MOUNTING HOLES FOR FOUNDATION

ALL INFORMATION CONTAINED IN THIS DOCUMENT IS CONFIDENTIAL AND THE PROPERTY OF KIRLOSKAR ELECTRIC CO. LTD. REPRODUCTION OF THESE IN ANY FORM IS TO BE DONE WITH THE SPECIFIC PERMISSION OF THE COMPANY.

eSCX/nSCX355	4,6&8	610	125	710	700	415	500	560	630	150	300	780	254	100	210	28	106	16	10	355	50	875	28	1670
FRAME	POLE	A	AA	AB	AD	AD'	B	B'	B''	BA	BA'	BB	C	D	E	F	GA	GD	GE	H	HA	HD	K	L

UNMENTIONED	UC:	315	1000	2000	4000	
	RAD:	0	6	315	1000	2000
ANGLES ± 1/2°	ABOVE	±0.2	±0.5	±0.8	±1.2	
LINER DIMENSIONS (MACHINED)	UPTO	±0.2	±0.5	±0.8	±1.2	
REV.	ZONE	8	7	6	5	

THIS SUPERSEDES _____ FROM dt _____ SIGN & dt _____
 THIS SUPERSEDED BY _____ FROM dt _____ SIGN & dt _____

MATERIAL SPECIFICATION	RAW MATERIAL SIZE	WEIGHT kg
—	—	RM FIN.

CASTING/FAB REF. USED ON _____ No.P.S.: —

SCALE NTS

DRAWN Sd/HNS dt. 98/11/02
 CHECKED Sd/HCR dt. 98/11/02
 APPROVED Sd/NSK dt. 98/11/02

TITLE: DIMENSIONAL DRAWING

31113598

SHEET NO. 1 OF 1

PRINTS ISSUED TO KIRLOSKAR ELECTRIC COMPANY LTD. BANGALORE - 560055 (INDIA)

FORM No. 11401033