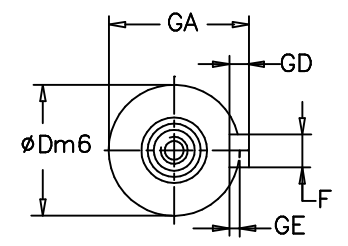
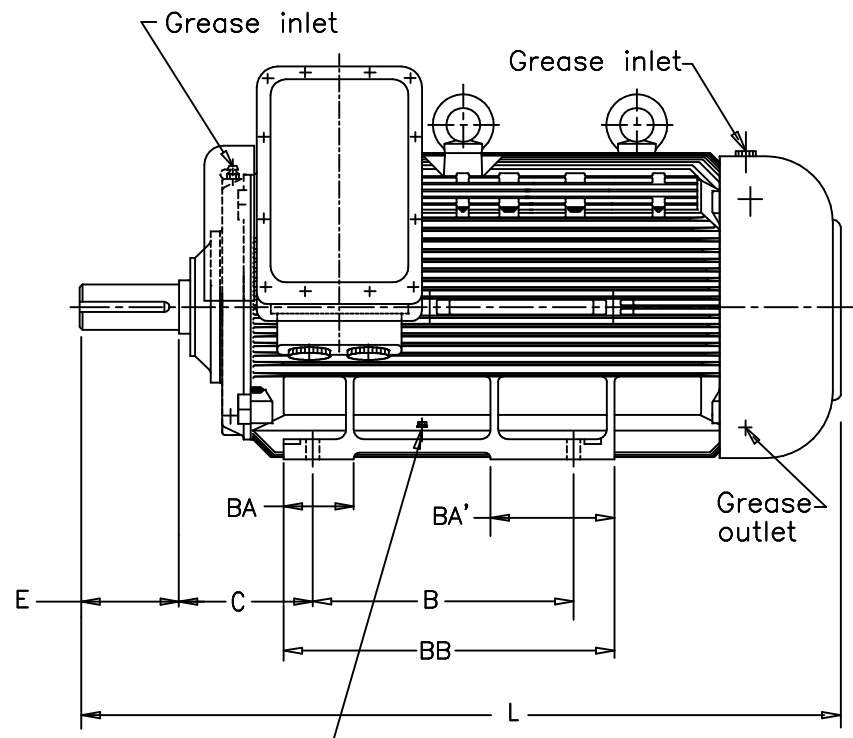
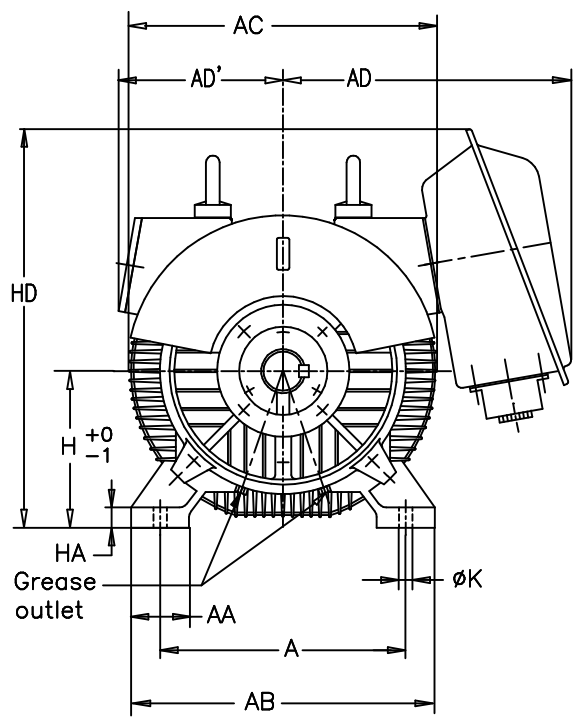


AS PER KSD-02-027

ALL INFORMATION CONTAINED IN THIS DOCUMENT IS CONFIDENTIAL AND THE PROPERTY OF KIRLOSKAR ELECTRIC CO. LTD. REPRODUCTION OF THESE IN ANY FORM IS TO BE DONE WITH THE SPECIFIC PERMISSION OF THE COMPANY.

UNMENTIONED

ANGLES ± 1/2°  
 LINEAR DIMENSIONS (MACHINED)  
 ABOVE UPTO TOLERANCE ±0.2  
 0 6 315 ±0.5  
 0 6 315 ±0.8  
 CHAM: 4000 ±3  
 2000 ±2  
 1000 ±1.2  
 UC: 315 ±0.8  
 1000 ±1.2  
 2000 ±2



**SHAFT EXTENSION DETAILS**

M12, 2nos. earthing screws one on each side.

**NOTE:-**

1. DIMENSIONS ARE AS PER I.S.1231.
2. DEGREE OF PROTECTION: IP:55.
3. PROTECTED CENTER HOLE "M24x50" DEEP FOR 4 POLE & ABOVE "M20x40" DEEP FOR 2 POLE AS PER IS:2540 AT SHAFT EXTENSION.
4. TERMINAL BOX CAN BE ROTATED THROUGH 360° IN STEPS OF 90°.
5. 4 NOS. OF M12 HOLES, ONE ON EACH FOOT ARE PROVIDED FOR JACKING.

SC315 LX	4,6&8P	508	120	628	640	630	340	508	145	200	628	216	90	170	25	95	14	9	315	42	820	Ø28	1505
SC315 LX	2	508	120	628	640	630	340	508	145	200	628	216	70	140	20	74.5	12	7.5	315	42	820	Ø28	1475
FRAME	POLE	A	AA	AB	AC	AD	AD'	B	BA	BA'	BB	C	D	E	F	GA	GD	GE	H	HA	HD	K	L

REV.	ZONE	BRIEF RECORD	SIGNATURE	DATE	PP&MM SH II
8	7	6	5		PRINTS ISSUED TO

THIS SUPERSEDES \_\_\_\_\_ FROM dt. \_\_\_\_\_ SIGN & dt. \_\_\_\_\_  
 THIS SUPERSEDED BY \_\_\_\_\_ FROM dt. \_\_\_\_\_ SIGN & dt. \_\_\_\_\_

MATERIAL SPECIFICATION	RAW MATERIAL SIZE	WEIGHT kg
		RM FIN.

CASTING/FAB REF. \_\_\_\_\_ No.P.S.: 1

USED ON

**SC315 LX**

SCALE **NTS.S.**

DRAWN	CHECKED	APPROVED
SJ/HRN	SJ/HCR	
dt. 15/07/03	dt. 15/07/03	dt.

TITLE: **DIMENSIONAL DRAWING**

**31111003**

SHEET NO. **ONE** OF **ONE**

**KIRLOSKAR ELECTRIC COMPANY LTD. BANGALORE - 560055 (INDIA)**

FORM No. 11401033