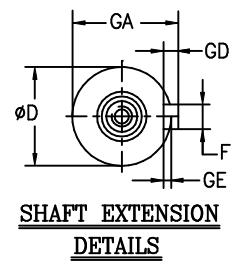
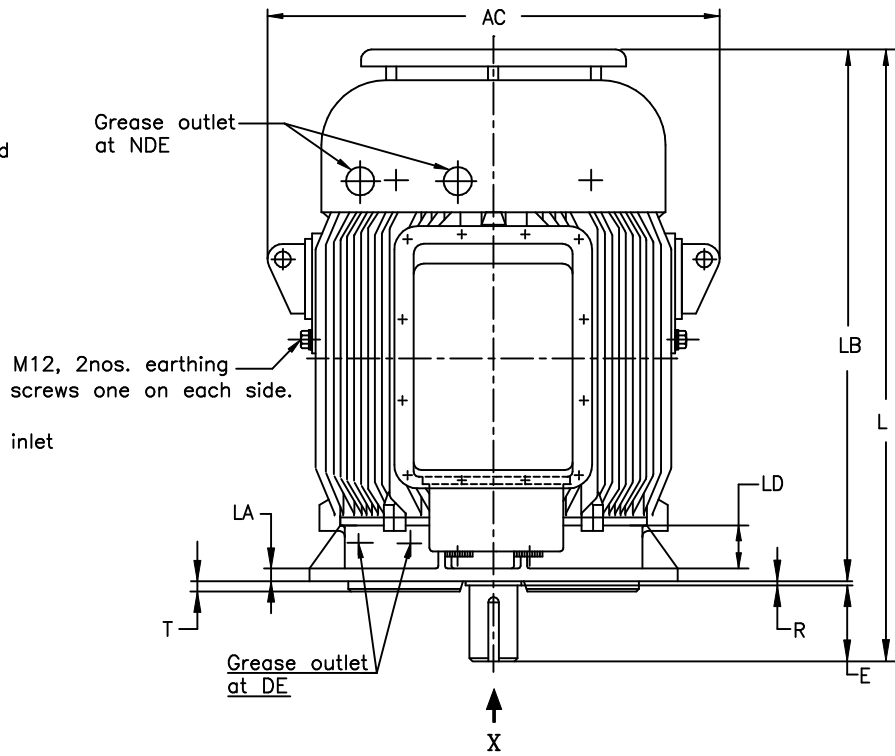


**VIEW-X**




**SHAFT EXTENSION DETAILS**

- NOTE:-**
1. DIMENSIONS ARE AS PER I.S.1231 AND I.S: 2223 TYPE "B" FLANGE.
  2. DEGREE OF PROTECTION: IP:55.
  3. TOLERANCE ON "D" : m6.
  4. TOLERANCE ON "N" : js6
  5. PROTECTED CENTER HOLE "M20x40" DEEP AS PER IS:2540 AT SHAFT EXTENSION.
  6. TERMINAL BOX CAN BE ROTATED THROUGH 360° IN STEPS OF 90°
  7. TOLERANCE ON "M": ±1

VSC315	4,6&8	900	605	80	170	22	85	14	9	1350	24	1180	58	600	550	660	0	24	6
VSC315	2	900	605	65	140	18	69	11	7	1320	24	1180	58	600	550	660	0	24	6
FRAME	POLE	AC	AD	D	E	F	GA	GD	GE	L	LA	LB	LD	M	N	P	R	S	T

REV.	ZONE	BRIEF RECORD	Sd/HRN/HCR	18-10-07
1	--	REVISED FOR DOCUMENT UPDATION		
PP & MM	ALL INFORMATION CONTAINED IN THIS DOCUMENT IS CONFIDENTIAL AND THE PROPERTY OF KIRLOSKAR ELECTRIC CO. LTD. REPRODUCTION OF THESE IN ANY FORM IS TO BE DONE WITH THE SPECIFIC PERMISSION OF THE COMPANY.		DRAWING No.	FROM DT.
PRINTS ISSUED TO	THIS IS SUPERSEDED BY		SIGNATURE	DATE

CUSTOMER / O/A No.	SCALE N.T.S.	DRAWN Sd/SPT 05/06/06	
USED ON / TYPE	VSC315	CHECKED Sd/ASK 05/06/06	
		APPROVED Sd/BYS 10/06/06	
TITLE: DIMENSIONAL DRAWING		31102506 R1	
		SHEET NO. ONE OF ONE	
KIRLOSKAR ELECTRIC COMPANY LTD. BANGALORE - 560055 (INDIA)			