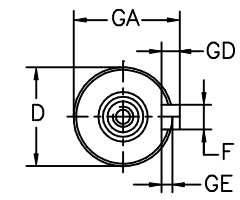
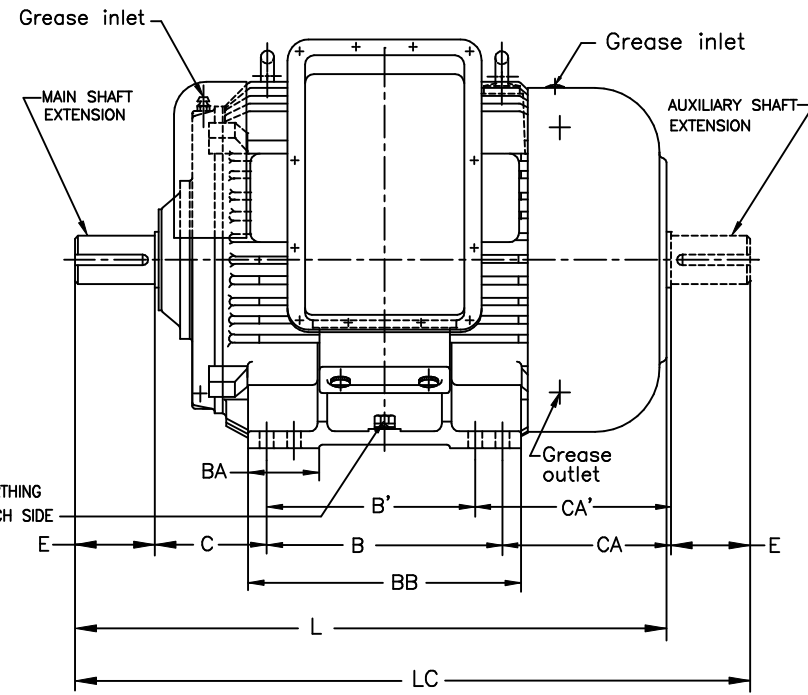


2 NOS.OF M12, EARTHING SCREW ONE ON EACH SIDE



DETAILS OF MAIN AND AUXILIARY SHAFT EXTENSION.

- NOTE:-**
1. DIMENSIONS ARE AS PER I.S.1231.
 2. DEGREE OF PROTECTION: IP:55.
 3. TOLERANCE ON H: -+0.0 -1.0
 4. TOLERANCE ON "D" :- m6.
 5. MAIN AND AUXILIARY SHAFT EXTENSIONS ARE IDENTICAL.
 6. PROTECTED CENTER HOLE "M20x40" DEEP AS PER IS:2540 AT SHAFT EXTENSION.
 7. TERMINAL BOX CAN BE ROTATED THROUGH 360° IN STEPS OF 90°

SC315L	4,6&8	508	120	630	640	645	-	508	170	656	216	-	421	80	170	22	85	14	9	315	40	720	28	1305	1485
SC315L	2	508	120	630	640	645	-	508	170	656	216	-	421	65	140	18	69	11	7	315	40	720	28	1275	1425
SC315M	4,6&8	508	120	630	640	645	457	-	150	537	216	352	-	80	170	22	85	14	9	315	40	720	28	1185	1365
SC315M	2	508	120	630	640	645	457	-	150	537	216	352	-	65	140	18	69	11	7	315	40	720	28	1155	1305
SC315S	4,6&8	508	120	630	640	645	-	406	150	537	216	-	403	80	170	22	85	14	9	315	40	720	28	1185	1365
SC315S	2	508	120	630	640	645	-	406	150	537	216	-	403	65	140	18	69	11	7	315	40	720	28	1155	1305
FRAME	POLE	A	AA	AB	AC	AD	B	B'	BA	BB	C	CA	CA'	D	E	F	GA	GD	GE	H	HA	HD	K	L	LC

REV.	ZONE	BRIEF RECORD	Sd/HRN/HCR	21/7/07	
1	-	FORMAT CHANGED.			
PP & MM	ALL INFORMATION CONTAINED IN THIS DOCUMENT IS CONFIDENTIAL AND THE PROPERTY OF KIRLOSKAR ELECTRIC CO. LTD. REPRODUCTION OF THESE IN ANY FORM IS TO BE DONE WITH THE SPECIFIC PERMISSION OF THE COMPANY.		DRAWING No.	FROM DT.	SIGN & DATE.
PRINTS ISSUED TO	THIS IS SUPERSEDED BY				

CUSTOMER / O/A No. _____

SCALE **NTS**

USED ON / TYPE **SC315**

TITLE: **DIMENSIONAL DRAWING**

DRAWN **Sd/SPP** 05/06/06

CHECKED **Sd/ASK** 05/06/06

APPROVED **Sd/BNS** 10/06/06

31101506 R1

SHEET NO. OF

KIRLOSKAR ELECTRIC COMPANY LTD. BANGALORE - 560055 (INDIA)

FORM No. 11401038