

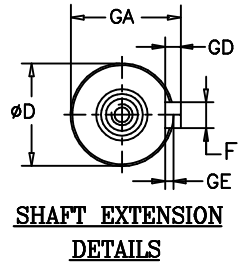
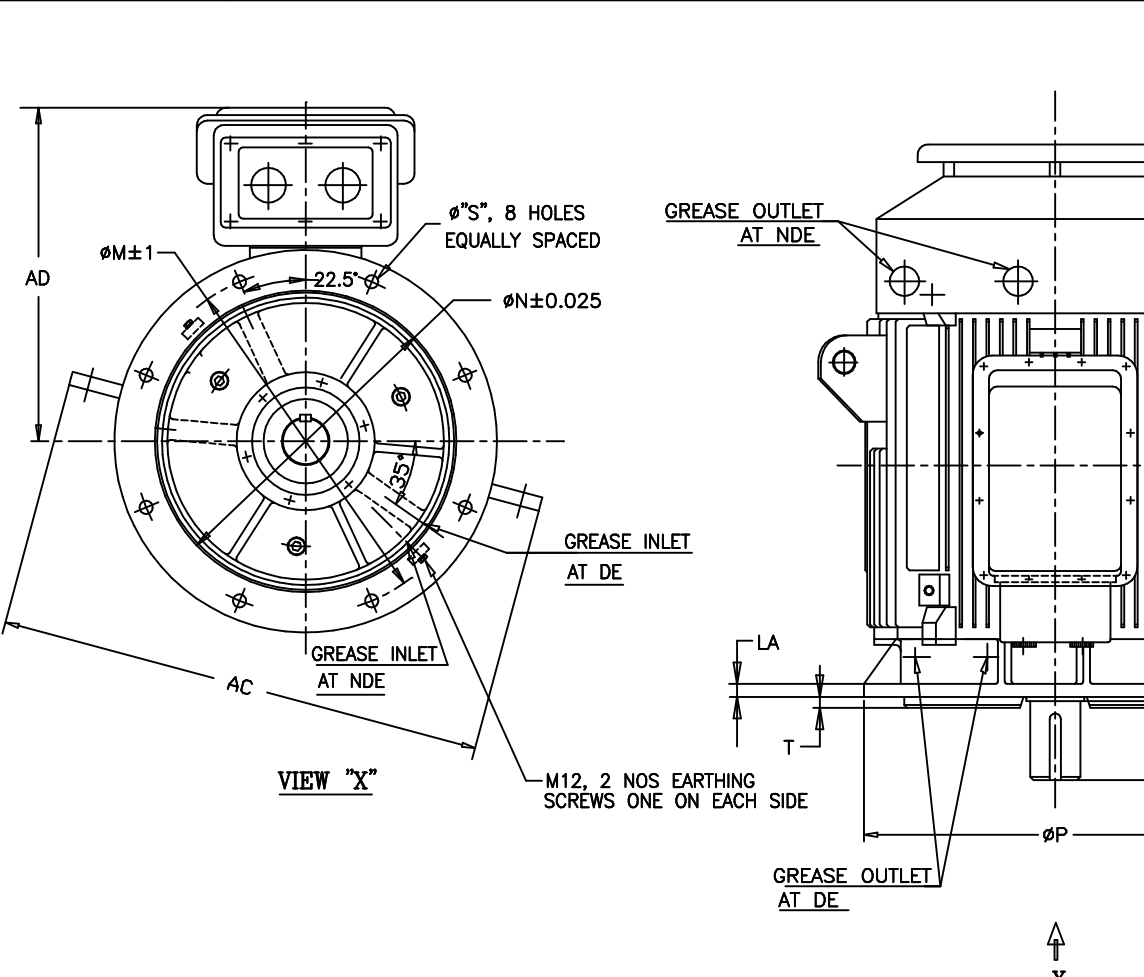
AS PER KSD-02-027

ALL INFORMATION CONTAINED IN THIS DOCUMENT IS CONFIDENTIAL AND THE PROPERTY OF KIRLOSKAR ELECTRIC CO. LTD. REPRODUCTION OF THESE IN ANY FORM IS TO BE DONE WITH THE SPECIFIC PERMISSION OF THE COMPANY.

UNMENTIONED

ANGLES ± 1/2°
 LINEAR DIMENSIONS (MACHINED)
 ABOVE UPTO TOLERANCE

| | | | | |
|------------|------|------|------|------|
| CHAM: | 4000 | 2000 | 1000 | 500 |
| UC: | 315 | 1000 | 2000 | 4000 |
| RAD: | 0 | 6 | 315 | 1000 |
| ABOVE UPTO | 6 | 315 | 1000 | 2000 |
| TOLERANCE | ±0.2 | ±0.5 | ±0.8 | ±1.2 |



- NOTE:-**
- DIMENSIONS ARE AS PER I.S.1231 AND I.S: 2223 TYPE "B" FLANGE.
 - DEGREE OF PROTECTION: IP:55.
 - TOLERANCE ON "D" : m6.
 - PROTECTED CENTER HOLE "M24X50" DEEP FOR Ø100, "M20X40" DEEP FOR Ø80 AS PER IS:2540 AT SHAFT EXTENSION.
 - TERMINAL BOX CAN BE ROTATED THROUGH 360° IN STEPS OF 90°

| | | | | | | | | | | | | | | | | | | | | |
|---------|-------|-----|-----|-----|-----|----|-----|----|----|------|----|------|----|-----|-----|-----|---|----|---|--|
| VSCX355 | 4,6&8 | 905 | 655 | 100 | 210 | 28 | 106 | 16 | 10 | 1715 | 26 | 1505 | 70 | 740 | 680 | 800 | 0 | 24 | 6 | |
| | 2 | | | 80 | 170 | 22 | 85 | 14 | 9 | 1675 | | | | | | | | | | |
| FRAME | POLE | AC | AD | D | E | F | GA | GD | GE | L | LA | LB | LD | M | N | P | R | S | T | |

THIS SUPERSEDES FROM dt SIGN & dt.
 THIS SUPERSEDED BY FROM dt SIGN & dt.

| | | |
|------------------------|-------------------|-----------|
| MATERIAL SPECIFICATION | RAW MATERIAL SIZE | WEIGHT kg |
| | | RM FIN. |
| | | No.P.S. |

CASTING/FAB REF.
 USED ON

VSCX 355

TITLE: **DIMENSIONAL DRAWING**

SHOP II
 MKTG.AC.M

PRINTS ISSUED TO

SCALE NTS

| | | |
|--------------|--------------|--------------|
| DRAWN | CHECKED | APPROVED |
| SHIVA | HCR | NSK |
| dt. 98/11/02 | dt. 98/11/02 | dt. 98/11/02 |

31113398

SHEET NO. ONE OF ONE

KIRLOSKAR ELECTRIC COMPANY LTD. BANGALORE - 560055 (INDIA)

| | | | | |
|------|------|--------------|-----------|------|
| REV. | ZONE | BRIEF RECORD | SIGNATURE | DATE |
| 8 | 7 | 6 | 5 | |