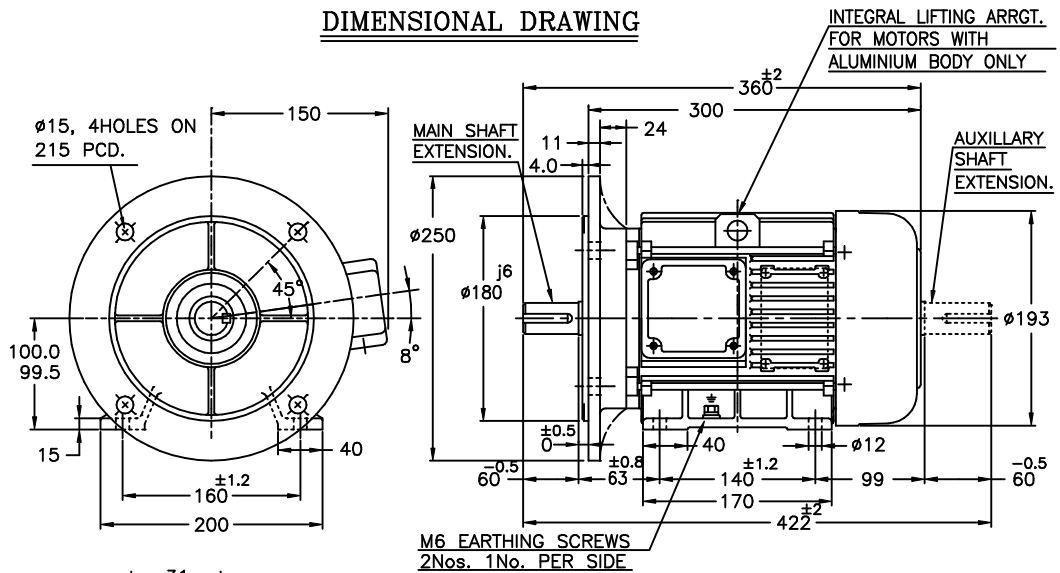


UNMENTIONED TOLERANCES

LINEAR DIMENSIONS (SUPTO MACHINED) / ANGLES	0	6	315	1000
ABOVE	0	6	315	1000
(MACHINED) / ANGLES	±0.2	±0.5	±0.8	±1.2
	± 1/2°			

ALL INFORMATION CONTAINED IN THIS DOCUMENT IS CONFIDENTIAL AND THE PROPERTY OF KIRLOSKAR ELECTRIC CO.LTD. REPRODUCING OF THESE IN ANY FORM IS TO BE DONE WITH THE SPECIFIC PERMISSION OF THE COMPANY.

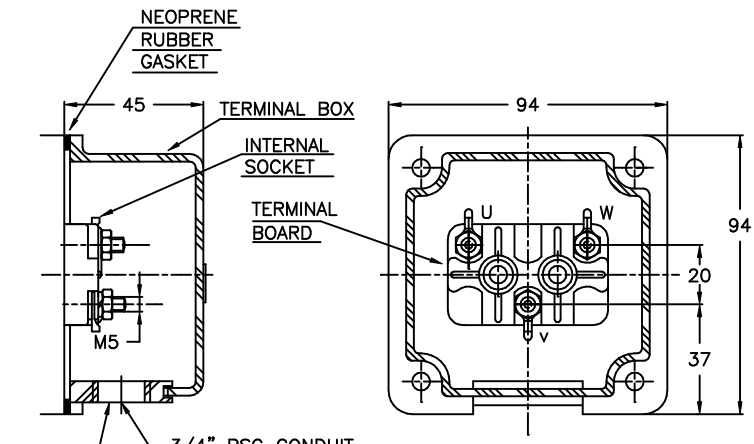
DIMENSIONAL DRAWING



- NOTE : 1. DIMENSIONS ARE AS PER IS:1231 & 2223
 2. DEGREE OF PROTECTION: IP:55.
 3. PROTECTED CENTRE HOLE AT SHAFT EXTENSION AS PER IS:2540. "M10 X 24" FOR 'D' - $\phi 28$
 4. TERMINAL BOX CAN BE ROTATABLE THROUGH 360° IN STEPS OF 90°.
 5. KEY & KEYWAY ARE AS PER IS:2048 & TOLERANCE ON KEYWAY IS P9.

SHAFT EXTENSION

TERMINAL BOX ARRANGEMENT



NOTE: MAX. CABLE SIZE : MAIN-1x3Cx6 sqmm.

SURFACE ROUGHNESS (MAX) AS PER KSD-02-027

Ra	50	2.5	25	1.6	3.2	6.3	0.2	0.4	0.8	0.025	0.05	0.1
OLD	✓	✓	✓	✓	✓	✓	✓	✓	✓	✓	✓	✓
NEW	✓	✓	✓	✓	✓	✓	✓	✓	✓	✓	✓	✓

UC: UNMENTIONED CHAM: Ra √

REV.	ZONE	DCN.No.	BRIEF RECORD	SIGNATURE	DATE	PRINTS ISSUED TO
1	-	0122209	REDRAWN IN A NEW FORMAT.	Sd/-	10/01/09	QA PRODUCTION MKTG
8	7	6	5			

Z122612100JR

THIS SUPERSEDES FROM dt AS PER DCN No.....		THIS SUPERSEDED BY FROM dt AS PER DCN No.....	
MATERIAL SPECIFICATION	RAW MATERIAL SIZE	WEIGHT kg	SCALE NTS
-	-	RM FIN.	
CASTING/FAB REF.	No.P.S.:-	REDRAWN	CHECKED
USED ON	sd/-	sd/-	STANDARD
	dt10/01/09	dt10/01/09	APPROVED
	sd/-	sd/-	
	dt10/01/09	dt10/01/09	
TITLE: DIMENSION SHEET		32261298R1	
KIRLOSKAR ELECTRIC COMPANY LTD. HUBLI-580030 (INDIA)		SHEET ONE OF ONE	