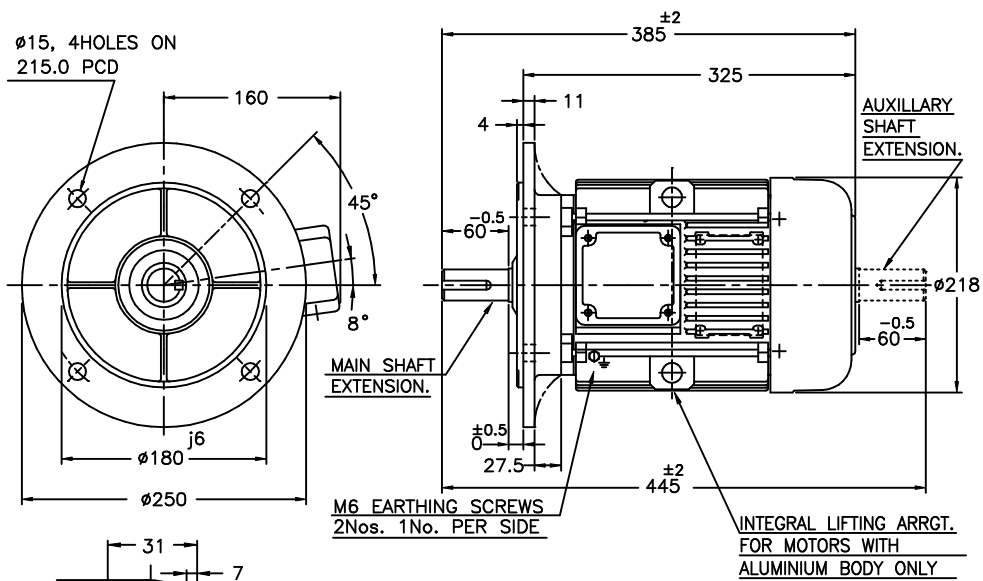


UNMENTIONED TOLERANCES

LINEAR DIMENSIONS (SUPTO MACHINED) TOL.	ABOVE 0	6	315	1000
± 1/2°	0	±0.2	±0.5	±1.2

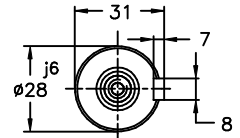
ALL INFORMATION CONTAINED IN THIS DOCUMENT IS CONFIDENTIAL AND THE PROPERTY OF KIRLOSKAR ELECTRIC CO.LTD. REPRODUCING OF THESE IN ANY FORM IS TO BE DONE WITH THE SPECIFIC PERMISSION OF THE COMPANY.

DIMENSIONAL DRAWING

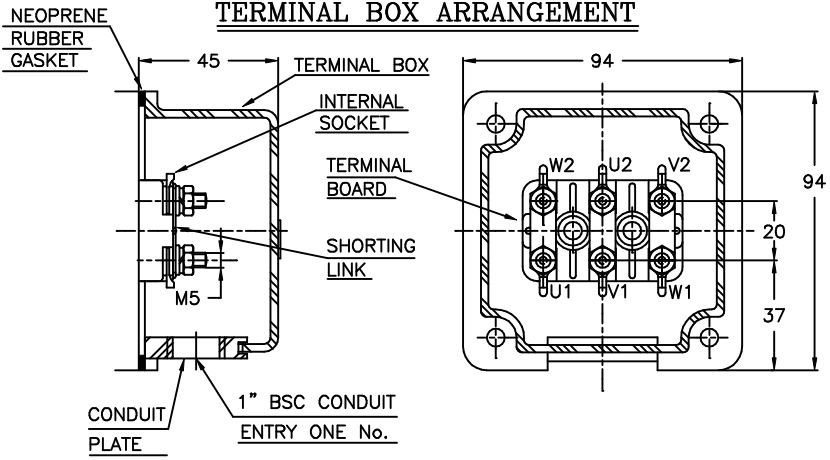


- NOTE :
1. DIMENSIONS ARE AS PER IS:1231 & 2223
 2. DEGREE OF PROTECTION: IP:55.
 3. PROTECTED CENTRE HOLE AT SHAFT EXTENSION AS PER IS:2540. "M10 X 24" FOR 'D' - ø28
 4. TERMINAL BOX CAN BE ROTATABLE THROUGH 360° IN STEPS OF 90°.
 5. KEY & KEYWAY ARE AS PER IS:2048 & TOLERANCE ON KEYWAY IS P9.

DETAILS OF MAIN & AUXILIARY SHAFT EXTENSION



TERMINAL BOX ARRANGEMENT



NOTE: MAX. CABLE SIZE : MAIN-1x3Cx16 sqmm.

SURFACE ROUGHNESS (MAX) AS PER KSD-02-027

50	12.5	25	1.6	3.2	6.3	0.2	0.4	0.8	0.025	0.05	0.1
OLD	✓	✓	✓	✓	✓	✓	✓	✓	✓	✓	✓
NEW	✓	✓	✓	✓	✓	✓	✓	✓	✓	✓	✓

UC: UNMENTIONED CHAM: R_a ✓

1	--	0122209	REDRAWN IN A NEW FORMAT.	Sd/-	10/01/09	QA PRODUCTION mktg
REV.	ZONE	DCN.No.	BRIEF RECORD	SIGNATURE	DATE	PRINTS ISSUED TO
8	7	6	5			

Z122615100JR

THIS SUPERSEDES FROM dt AS PER DCN No.....
 THIS SUPERSEDED BY FROM dt AS PER DCN No.....

MATERIAL SPECIFICATION	RAW MATERIAL SIZE	WEIGHT kg	SCALE	
---	---	RM FIN.		
CASTING/FAB REF.	No.P.S.:	---	NTS	
USED ON	REDRAWN	CHECKED	STANDARD	APPROVED
	sd/-	sd/-	sd/-	sd/-
	dt10/01/09	dt10/01/09	dt10/01/09	dt10/01/09

BPM112M

TITLE: **DIMENSION SHEET**

32261598R1

SHEET ONE OF ONE

KIRLOSKAR ELECTRIC COMPANY LTD. HUBLI-580030 (INDIA)

FORM No. 02 201 02B (ISSUE 7)