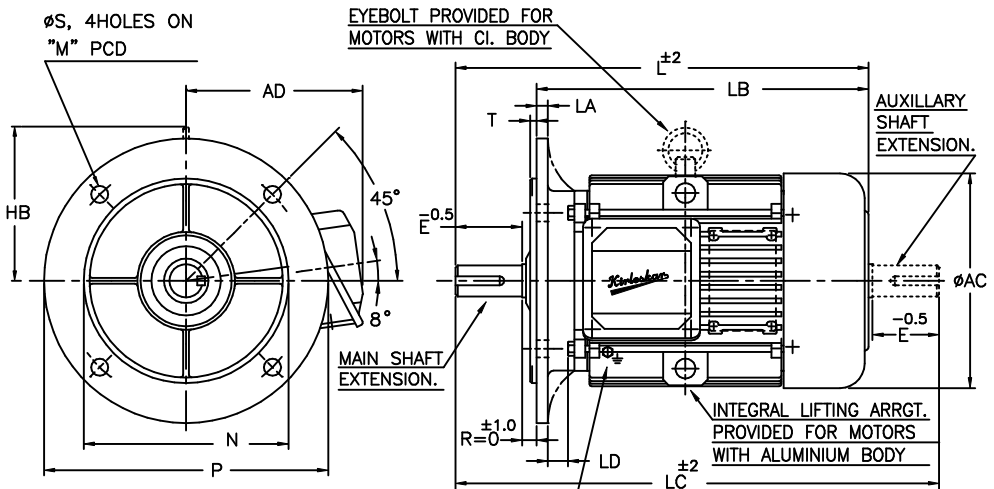


UNMENTIONED TOLERANCES
 LINEAR ABOVE 0 6 315 1000
 DIMENSIONS(S) UPTO 6 315 1000 2000
 (MACHINED) TOL. ±0.2 ±0.5 ±0.8 ±1.2
 ANGLES ± 1/2°

ALL INFORMATION CONTAINED IN THIS DOCUMENT IS CONFIDENTIAL AND THE PROPERTY OF KIRLOSKAR ELECTRIC CO.LTD. REPRODUCING OF THESE IN ANY FORM IS TO BE DONE WITH THE SPECIFIC PERMISSION OF THE COMPANY.

DIMENSIONAL DRAWING



EYEBOLT PROVIDED FOR MOTORS WITH CI. BODY

AUXILIARY SHAFT EXTENSION.

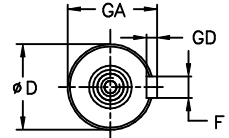
MAIN SHAFT EXTENSION.

INTEGRAL LIFTING ARRGT. PROVIDED FOR MOTORS WITH ALUMINIUM BODY

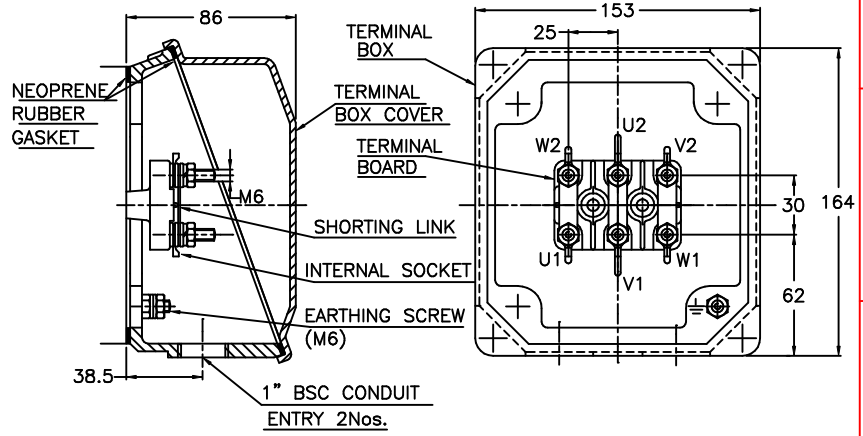
M6 EARTHING SCREWS 2Nos. 1No. PER SIDE

- NOTE : 1. DIMENSIONS ARE AS PER IS:1231 & 2223
 2. DEGREE OF PROTECTION: IP:55.
 3. TOLERANCE ON 'D' : k6. TOLERANCE ON 'N' : j6.
 4. PROTECTED CENTRE HOLE AT SHAFT EXTENSION AS PER IS:2540. "M16 X 32"
 5. TERMINAL BOX CAN BE ROTATABLE THROUGH 360° IN STEPS OF 90°.
 6. KEY & KEYWAY ARE AS PER IS:2048 & TOLERANCE ON KEYWAY IS P9.

DETAILS OF MAIN & AUXILIARY SHAFT EXTENSION



TERMINAL BOX ARRANGEMENT



NOTE: MAX. CABLE SIZE : MAIN-2x3Cx16 sqmm. SHORTING WILL BE PROVIDED FOR DOL START

ITEM/TAG No.			
RATING			
CABLE SIZE			
O/A NO.:	CUSTOMER :		
PROJECT :	CONSULTANT :		JOB No. :

SL. NO.	FRAME	D	E	F	L	LC	M	N	P	S	T	AC	AD	GA	GD	LA	LB	LD	HB
1	BPM 160M	42	110	12	596	705	300	250	350	19	5	310	250	45	8	13	486	32	216
2	BPM 160L				640	749											530		

SURFACE ROUGHNESS (MAX) AS PER KSD-02-027
 Ra um 50 12.5 25 1.6 3.2 6.3 0.2 0.4 0.8 0.025 0.05 0.1
 OLD NEW UNMENTIONED
 CHAM: RAD: UC: Rf 0.5

REV.	ZONE	DCN.No.	BRIEF RECORD	SIGNATURE	DATE	PRINTS ISSUED TO
1	-	0122209	REDRAWN IN A NEW FORMAT.	sd/-	0/01/09	QA PRODUCTION MKTG
8						

Z122080100JR

THIS SUPERSEDES FROM dt AS PER DCN No.....
 THIS SUPERSEDED BY FROM dt AS PER DCN No.....

MATERIAL SPECIFICATION	RAW MATERIAL SIZE	WEIGHT kg	SCALE	NTS
		RM FIN.		
CASTING/FAB REF.	No.P.S.:-			
USED ON	REDRAWN	CHECKED	STANDARD	APPROVED
	sd/-	sd/-	sd/-	sd/-
	dt. 10/01/09	dt. 10/01/09	dt. 10/01/09	dt. 10/01/09

BPM160

TITLE: **DIMENSION SHEET**

32208098R1

SHEET ONE OF ONE

KIRLOSKAR ELECTRIC COMPANY LTD. HUBLI-580030 (INDIA)

FORM No. 02 201 02B (ISSUE 7)