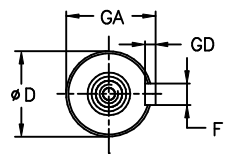
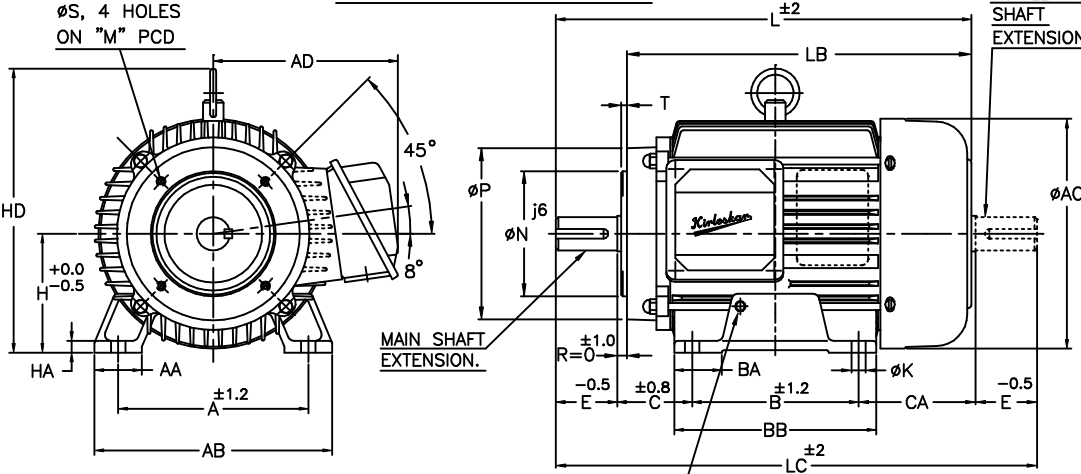


UNMENTIONED TOLERANCES

LINEAR DIMENSIONS (SUPTO (MACHINED))	0	6	315	1000
ABOVE	0	6	315	1000
UP TO	0	6	315	1000
(MACHINED) TOL.	±0.2	±0.5	±0.8	±1.2
ANGLES	± 1/2°			

ALL INFORMATION CONTAINED IN THIS DOCUMENT IS CONFIDENTIAL AND THE PROPERTY OF KIRLOSKAR ELECTRIC CO.LTD. REPRODUCING OF THESE IN ANY FORM IS TO BE DONE WITH THE SPECIFIC PERMISSION OF THE COMPANY.

DIMENSIONAL DRAWING

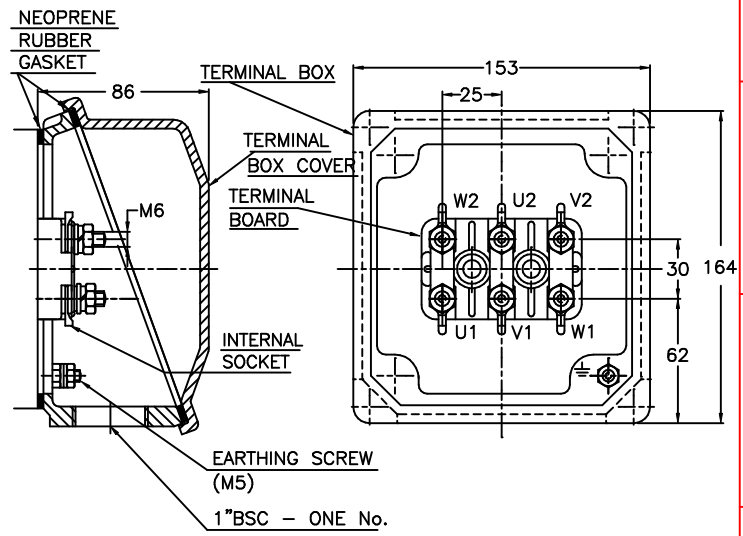


DETAILS OF MAIN & AUXILIARY SHAFT EXTENSION

M6 EARTHING SCREWS
2Nos. 1No. PER SIDE

- NOTE :**
1. DIMENSIONS ARE AS PER IS:1231 & 2223
 2. DEGREE OF PROTECTION: IP:55.
 3. TOLERANCE ON 'D' : k6.
 4. PROTECTED CENTRE HOLE AT SHAFT EXTENSION AS PER IS:2540.
 5. TERMINAL BOX CAN BE ROTATABLE THROUGH 360° IN STEPS OF 90°.
 - * 6. BELOW MENTIONED 'HA' DIMENSION: 25 FOR CI BODY
18 FOR AL. BODY
 7. KEY & KEYWAY ARE AS PER IS:2048 & TOLERANCE ON KEYWAY IS P9.

TERMINAL BOX ARRANGEMENT



NOTE: MAX. CABLE SIZE : MAIN-1x3Cx16 sqmm.

SL. NO.	FRAME	A	AA	AB	AC	AD	B	BA	BB	C	CA	D	E	F	GA	GD	H	*HA	HD	K	L	LB	LC	M	N	P	S	T
1	FCPM 160M	254	60	314	310	250	210	60	270	108	167	42	110	12	45	8	160	25	380	15	596	486	705	215	180	250	M12	3.5
2	FCPM 160L					254			314												640	530	749					

Z122626100JR

SURFACE ROUGHNESS (MAX) AS PER KSD-02-027

RM	50	12.5	25	1.6	3.2	6.3	0.2	0.4	0.8	0.025	0.05	0.1
OLD	✓	✓	✓	✓	✓	✓	✓	✓	✓	✓	✓	✓
NEW	✓	✓	✓	✓	✓	✓	✓	✓	✓	✓	✓	✓

UC: CHAM: UNMENTIONED

REV.	1	ZONE	-	DCN.No.	0122209	BRIEF RECORD	REDRAWN IN A NEW FORMAT.	Sd/-	10/01/09	PRINTS ISSUED TO	QA MARKETING PRODUCTION
8	7	6	5								

THIS SUPERSEDES FROM dt AS PER DCN No.....
 THIS SUPERSEDED BY FROM dt AS PER DCN No.....

MATERIAL SPECIFICATION	RAW MATERIAL SIZE	WEIGHT kg	SCALE			
-	-	RM FIN.	NTS			
CASTING/FAB REF. USED ON		No.P.S.:-	REDRAWN	CHECKED	STANDARD	APPROVED
FCPM160		sd/-	sd/-	sd/-	sd/-	
		dt10/01/09	dt10/01/09	dt10/01/09	dt10/01/09	

TITLE: DIMENSION SHEET

32262698R1

SHEET ONE OF ONE

KIRLOSKAR ELECTRIC COMPANY LTD. HUBLI-580030 (INDIA)

FORM No. 02 201 02B (ISSUE 7)