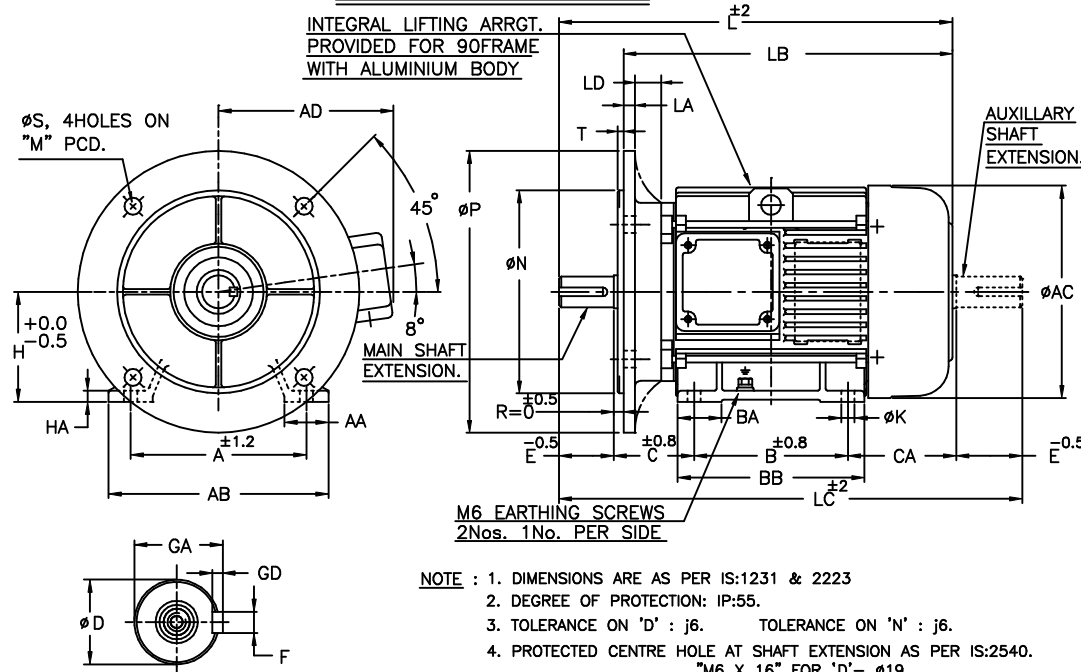


UNMENTIONED TOLERANCES  
 LINEAR ABOVE 0 6 315 1000  
 DIMENSIONS (UP TO) 6 315 1000 2000  
 (MACHINED) (TOL. ±0.2 ±0.5 ±0.8 ±1.2)  
 ANGLES ± 1/2°

ALL INFORMATION CONTAINED IN THIS DOCUMENT IS CONFIDENTIAL AND THE PROPERTY OF KIRLOSKAR ELECTRIC CO.LTD. REPRODUCING OF THESE IN ANY FORM IS TO BE DONE WITH THE SPECIFIC PERMISSION OF THE COMPANY.

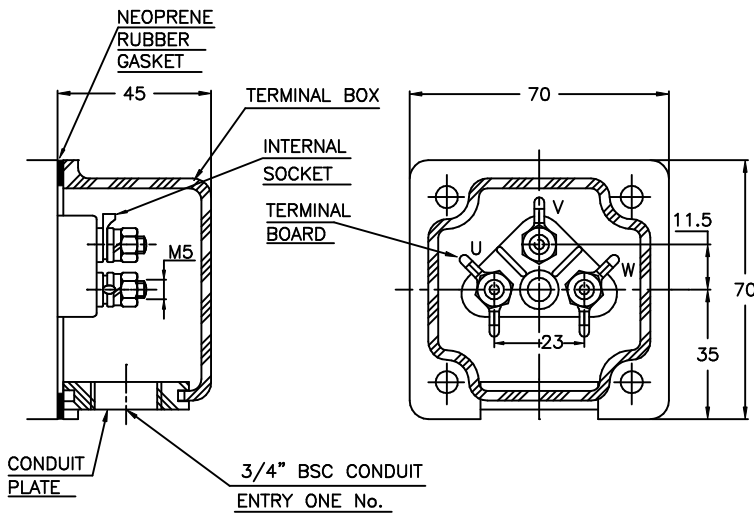
**DIMENSIONAL DRAWING**



- NOTE :**
1. DIMENSIONS ARE AS PER IS:1231 & 2223
  2. DEGREE OF PROTECTION: IP:55.
  3. TOLERANCE ON 'd' : j6. TOLERANCE ON 'n' : j6.
  4. PROTECTED CENTRE HOLE AT SHAFT EXTENSION AS PER IS:2540. "M6 X 16" FOR 'D'- ø19 "M8 X 20" FOR 'D'- ø24
  5. TERMINAL BOX CAN BE ROTATABLE THROUGH 360° IN STEPS OF 90°.
  6. KEY & KEYWAY ARE AS PER IS:2048 & TOLERANCE ON KEYWAY IS P9.

**DETAILS OF MAIN & AUXILIARY SHAFT EXTENSION**

**TERMINAL BOX ARRANGEMENT**



**NOTE:** MAX. CABLE SIZE : MAIN-1x3Cx6 sqmm.

SL. NO.	FRAME	A	AA	AB	AC	AD	B	BA	BB	C	CA	D	E	F	GA	GD	H	HA	K	L	LA	LB	LC	LD	M	N	P	S	T
1	FBPM 80	125	30	155	156	130	100	30	120	50	80	19	40	6	21.5	6	80	10	10	270	10	230	310	20	165	130	200	12	3.5
2	FBPM 90S	140	35	175	178	140	100	30	120	56	87	24	50	8	27	7	90	13	10	293	10	243	343	24.5	165	130	200	12	3.5
3	FBPM 90L						125		145											268		368							

**Z122607100JR**

SURFACE ROUGHNESS (MAX) AS PER KSD-02-027  
 Ra µm 50 12.5 25 1.6 3.2 6.3 1 0.2 0.4 0.8 0.8 0.025 0.05 0.1  
 OLD NEW UNMENTIONED CHAM: UC: RAD: 7 6 5

REV.	ZONE	DCN.No.	BRIEF RECORD	SIGNATURE	DATE	PRINTS ISSUED TO
1	-	0122209	REDRAWN IN A NEW FORMAT.	Sd/-	10/01/09	QA MARKETING PRODUCTION
8	7					

THIS SUPERSEDES ..... FROM dt ..... AS PER DCN No.....  
 THIS SUPERSEDED BY ..... FROM dt ..... AS PER DCN No.....

MATERIAL SPECIFICATION	RAW MATERIAL SIZE	WEIGHT kg
-	-	RM FIN.

CASTING/FAB REF. \_\_\_\_\_ No.P.S.: -  
 USED ON \_\_\_\_\_ REDRAWN \_\_\_\_\_ CHECKED \_\_\_\_\_ STANDARD \_\_\_\_\_ APPROVED \_\_\_\_\_

SCALE NTS

sd/- sd/- sd/- sd/-  
 dt:10/01/09 dt:10/01/09 dt:10/01/09 dt:10/01/09

**FBPM80 & 90**

TITLE: **DIMENSION SHEET**

**32260798R1**

SHEET ONE OF ONE

**KIRLOSKAR ELECTRIC COMPANY LTD. HUBLI-580030 (INDIA)**

FORM No. 02 201 02B (ISSUE 7)