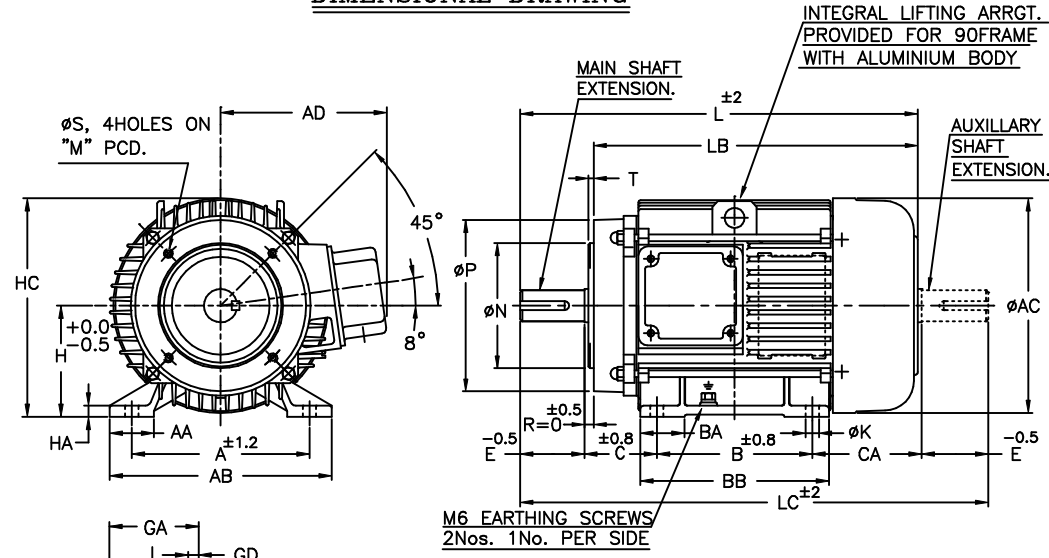


UNINTENTIONED TOLERANCES
 LINEAR ABOVE 0 6 315 1000
 DIMENSIONS (SUPTO 0 6 315 1000 2000
 (MACHINED) TOL. ±0.2 ±0.5 ±0.8 ±1.2
 ANGLES ± 1/2°

ALL INFORMATION CONTAINED IN THIS DOCUMENT IS CONFIDENTIAL AND THE PROPERTY OF KIRLOSKAR ELECTRIC CO.LTD. REPRODUCING OF THESE IN ANY FORM IS TO BE DONE WITH THE SPECIFIC PERMISSION OF THE COMPANY.

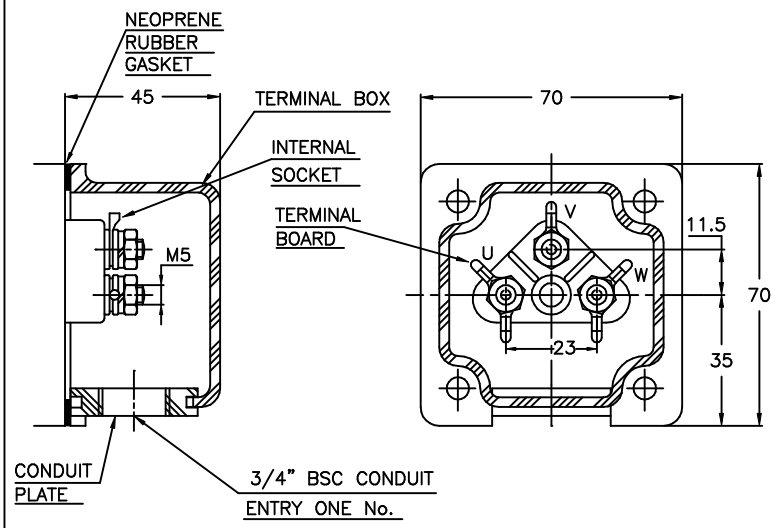
DIMENSIONAL DRAWING



DETAILS OF MAIN & AUXILIARY SHAFT EXTENSION

- NOTE :**
1. DIMENSIONS ARE AS PER IS:1231 & 2223
 2. DEGREE OF PROTECTION: IP:55.
 3. TOLERANCE ON 'd' : j6. TOLERANCE ON 'N' : j6.
 4. PROTECTED CENTRE HOLE AT SHAFT EXTENSION AS PER IS:2540.
 - "M6 X 16" FOR 'D' - ø19
 - "M8 X 20" FOR 'D' - ø24
 5. TERMINAL BOX CAN BE ROTATABLE THROUGH 360° IN STEPS OF 90°.
 6. KEY & KEYWAY ARE AS PER IS:2048 & TOLERANCE ON KEYWAY IS P9.

TERMINAL BOX ARRANGEMENT



NOTE: MAX. CABLE SIZE : MAIN-1x3Cx6 sqmm.

SL. NO.	FRAME	A	AA	AB	AC	AD	B	BA	BB	C	CA	D	E	F	GA	GD	H	HA	HC	K	L	LB	LC	M	N	P	S	T
1	FCPM 80	125	30	155	156	130	100	30	120	50	80	19	40	6	21.5	6	80	10	158	10	270	230	310	100	80	120	M6	3.0
2	FCPM 90S	140	35	175	178	140	100	30	120	56	87	24	50	8	27	7	90	13	178	10	293	243	343	115	95	140	M8	3.0
3	FCPM 90L						125		145												318	268	368					

Z122608100JR

SURFACE ROUGHNESS (MAX) AS PER KSD-02-027
 Ra µm 50 12.5 25 1.6 3.2 6.3 1 0.2 0.4 0.8 0.8 0.025 0.05 0.1
 OLD NEW UNINTENTIONED CHAM: UC: RAD: R0.5

REV.	ZONE	DCN.No.	BRIEF RECORD	SIGNATURE	DATE	PRINTS ISSUED TO
1	-	0122209	REDRAWN IN A NEW FORMAT.	Sd/-	10/01/09	QA MARKETING PRODUCTION
8	7	6	5			

THIS SUPERSEDES FROM dt AS PER DCN No.....
 THIS SUPERSEDED BY FROM dt AS PER DCN No.....

MATERIAL SPECIFICATION	RAW MATERIAL SIZE	WEIGHT kg
-	-	RM FIN.
-	-	-

CASTING/FAB REF. _____ No.P.S.: -
 USED ON _____ REDRAWN _____ CHECKED _____ STANDARD _____ APPROVED _____

FCPM80 & 90

TITLE: DIMENSION SHEET

32260898R1

SHEET ONE OF ONE

KIRLOSKAR ELECTRIC COMPANY LTD. HUBLI-580030 (INDIA)

FORM No. 02 201 02B (ISSUE 7)