

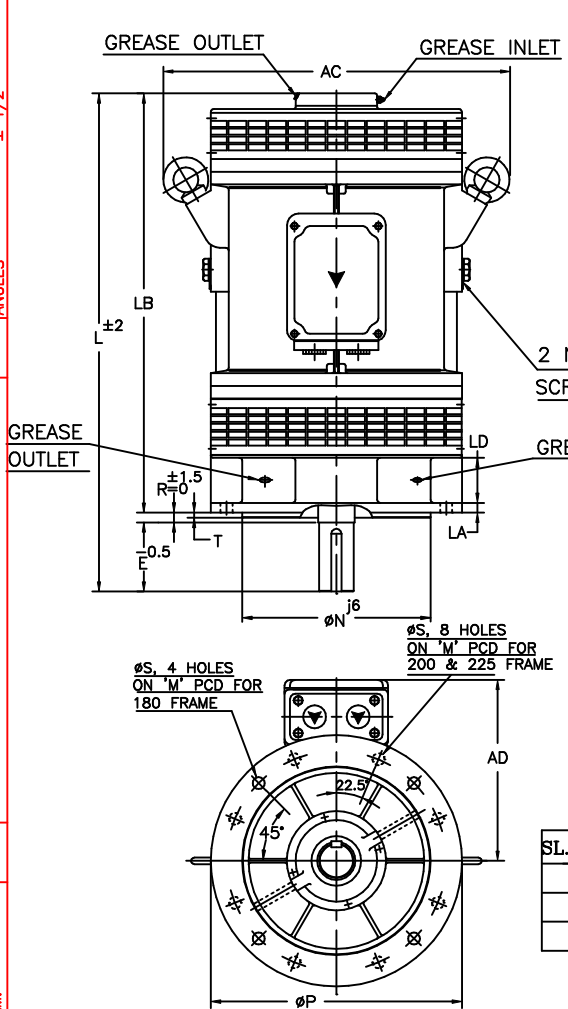
UNMENTIONED TOLERANCES

LINEAR DIMENSIONS (SUPTO (MACHINED))	ABOVE 0	6	315	1000
ANGLES			±0.2 ±0.5 ±0.8	±1.2

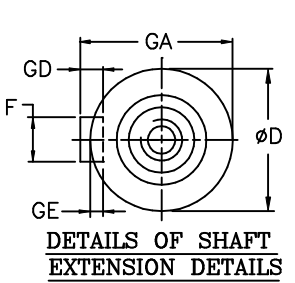
ALL INFORMATION CONTAINED IN THIS DOCUMENT IS CONFIDENTIAL AND THE PROPERTY OF KIRLOSKAR ELECTRIC CO.LTD. REPRODUCING OF THESE IN ANY FORM IS TO BE DONE WITH THE SPECIFIC PERMISSION OF THE COMPANY.

SURFACE ROUGHNESS (MAX) AS PER KSD-02-027

50	12.5	25	1.6	3.2	6.3	12.5	0.2	0.4	0.8	1.6	3.2	6.3	12.5
OLD	NEW	UC	CHAM:	UC:	UC:	UC:	UC:	UC:	UC:	UC:	UC:	UC:	UC:



DIMENSIONAL DRAWING



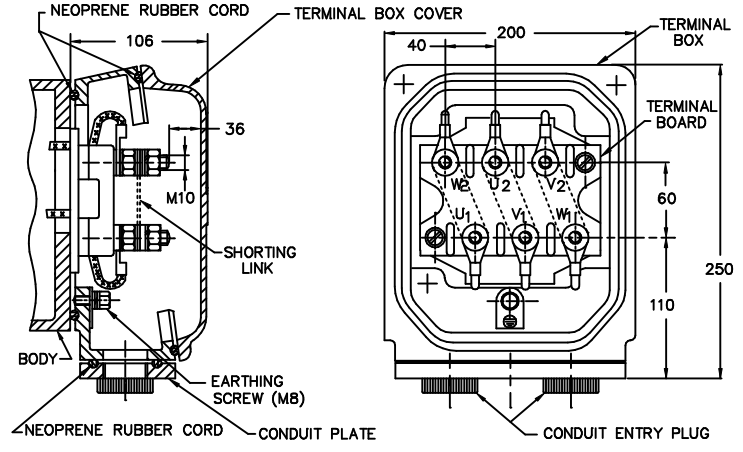
2 Nos. OF M10 EARTHING SCREWS ONE ON EACH SIDE.

NOTE:

1. DIMENSIONS ARE AS PER IS:2223 & IS:1231.
2. INDEX OF PROTECTION : IP:21.
3. TOLERANCE ON 'D' ; m6 INCLUDING & ABOVE Ø55
4. PROTECTED CENTRE HOLE AT SHAFT EXTENSION AS PER IS:2540. "M20 X 40" FOR 'D'- Ø55 TO Ø80
5. KEY & KEYWAY ARE AS PER IS:2048 & TOLERANCE ON KEYWAY IS P9.

Sl.No.	FRAME	POLES	AC	AD	ØD	E	F	GA	GD	GE	L	LA	LB	LD	ØM	ØN	ØP	R	ØS	T
1	VSA 180	2,4,6 & 8	535	308	55	110	16	59	10	6	780	15	670	72	350	300	400	0	19	5
2	VSA 200	2,4,6 & 8	625	343	60	140	18	64	11	7	870	16	730	75	400	350	450	0	19	5
3	VSA 225	4,6 & 8	665	361	65	140	18	69	11	7	895	18	755	52	500	450	550	0	19	5

TERMINAL BOX ARRANGEMENT



NOTE:
 — MAX.CABLE SIZE : 2X3CX70sqmm.
 — SHORTING LINKS ARE PROVIDED ONLY FOR DOL START WITH SINGLE ENTRY, NOT FOR STAR-DELTA STARTING.

ITEM/TAG No.			
RATING			
CABLE SIZE		JOB No. :	
O/A NO.:		CUSTOMER :	
PROJECT :		CONSULTANT :	

Z122429100JR

THIS SUPERSEDES FROM dt AS PER DCN No.....
 THIS SUPERSEDED BY FROM dt AS PER DCN No.....

MATERIAL SPECIFICATION	RAW MATERIAL SIZE	WEIGHT kg	SCALE	
		RM FIN.	NTS	
		— —		

CASTING/FAB REF. _____ No.P.S.: —
 USED ON _____ REDRAWN _____ CHECKED _____ STANDARD _____ APPROVED _____

sd/- sd/- sd/- sd/-
 dt:21/1/09 dt:21/1/09 dt:21/1/09 dt:21/1/09

VSA180 TO 225
TITLE: DIMENSION SHEET
 (WITH TERMINAL BOX ARRANGEMENT)

32242998R1
 SHEET one of one

KIRLOSKAR ELECTRIC COMPANY LTD. HUBLI-580030 (INDIA)

1	—	0122209	REDRAWN IN A NEW FORMAT.	sd/-	21.1.09	QA MARKETING PRODUCTION
REV.	ZONE	DCN.No.	BRIEF RECORD	SIGNATURE	DATE	PRINTS ISSUED TO
8	7	6	5			

FORM No. 02 201 02B (ISSUE 7)