

KSMB

Stainless Steel Monoblock Pumps

Attributes:

- Fclass insulant
- Ingress protection IP 55
- Pump indirectly 55
- Flat efficiency curve
- Mechanical seal for operation of high temp

Material of Construction

Impeller	: AISI304
Mechanical Seal	: Ceramic vs. Carbon,(Upto 3 HP) Silicon Carbide vs. C. (Over 3 HP)
Pump Body	: AISI 304
Guarding Plate	: AISI304
Pump Head	: Cast Iron
Pump Head Lining	: AISI304
Shaft	: AISI304
Rubber Parts	: NBR

Applications

Water supply: Filtration in waterworks, transportation and subarea water carriage, pressurization of main duct.

Industrial pressurization: Flow wetting system and cleaning system.

Transporting industrial liquid: Water supply for cooling towers, boilers, condensation systems, cooling and air-conditioning systems, machine tool support.

Chemical industry: Pumping of industrial chemicals including light acids and alkalis.

Pharmaceutical industry: Pumping of fluids used in manufacture of medicines.

Dairy, Food processing & Beverage industries: Supply of clean water.

Operating Conditions

Liquid temperature: -20°C to +100°C (Above 5 hp),- 10°C to +85°C (Upto3 hp)

Max. Ambient temperature: +40°C

Maximum system pressure : 10 Bar (Above 5 hp),8 Bar (Upto3 hp)

Altitude: up to 1000m (At higher altitudes or higher ambient temperatures the motor output reduces because of lower air densities and poor cooling effects).

Pump Model	Del. Pipe Size(mm)	Power Rating (kW/HP)	DISCHARGE LPM								
			0	60	120	180	240	300	360	420	-
KSMB 129	40x25	0.75/1.0	29.5	26.5	21	-	-	-	-	-	-
KSMB 116	40x32	0.75/1.0	16.5	15.5	14	12.5	10.5	-	-	-	-
KSMB 1.516	50x32	1.1/1.5	17.5	17.5	17	16.5	15.5	13.5	-	-	-
KSMB 220	50x32	1.5/2.0	22.5	22	21.5	21	19.5	17.5	14.5	-	-
KSMB 324	50x32	3/2.2	24.5	23.75	22.8	21.6	19.8	17.25	-	-	-
KSMB 328	40x32	3/2.2	28.4	27.5	26.3	24.75	23	20.5	17.5	-	-
KSMB 548	50x32	5/5.5	48	47	46.5	45	43	40.5	37.5	33.7	-

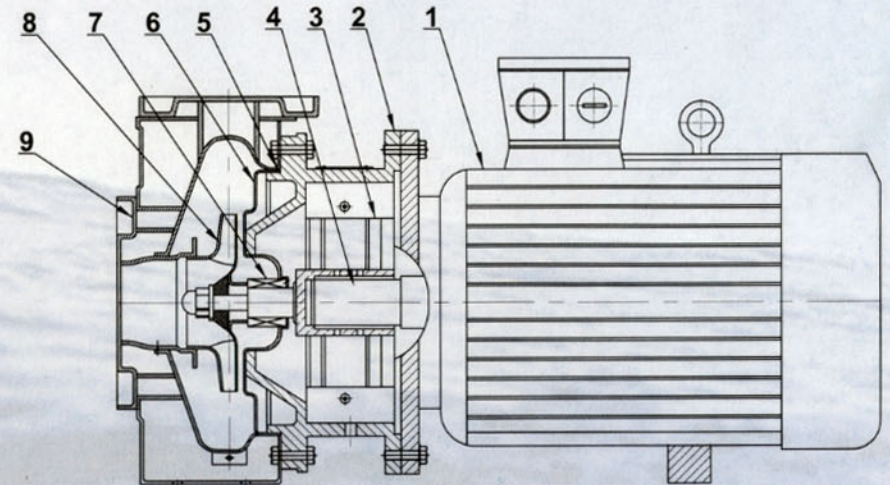
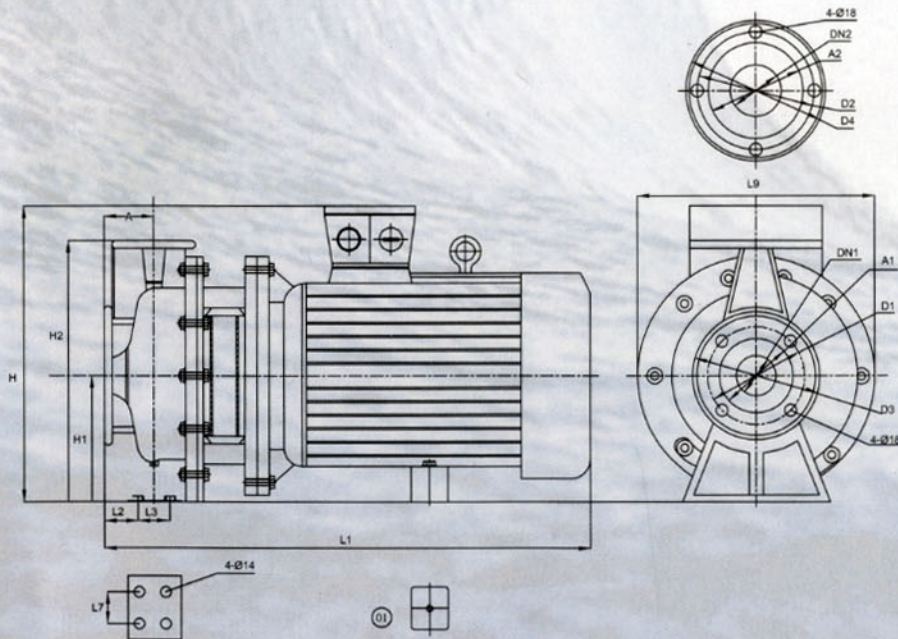
Pump Model	Del. Pipe Size(mm)	Power Rating (kW/HP)	DISCHARGE LPM								
			0	240	360	480	600	720	840	960	1080
KSMB 1051	65x40	7.5/10	51	50	49.5	48	46.5	45	44	41	36.5
KSMB 634	65x40	5.5/7.5	38	35	32.5	30	26	-	-	-	-
KSMB 532	65x40	4/5.5	30	28.5	27.5	25	22	18	14	-	-

DIMENSIONAL DETAILS
KSMB

MODELS	SIZE (mm)																
	Dn1	Dn2	A1	A2	D1	D2	D3	D4	A	L1	L2	L3	L7	L9	H1	H2	H
KSMB 548	50	32	98	75	125	100	160	139	84	570	32	70	190	300	152	345	342
KSMB 532	65	40	118	84	145	110	185	145	80	537	38	70	190	250	250	290	130

PARTS LIST
KSMB

SR. NO.	PART	MATERIAL	STANDARD
1	MOTOR	-----	-----
2	PUMP HEAD	CI FG200	ASTM25B
3	GUARDING PLAT	0CR18NI9	AISI304
4	SHAFT	2CR13/0CR18NI9	AISI420/AISI304
5	RUBBER PARTS	NBR	-----
6	LINING OF PUMP HEAD	0CR18NI9	ASI420/AISI304
7	MECHANICAL SEAL	CARBON/SILICON CARBIDE	-----
8	IMPELLER	0CR18NI9	AISI304
9	PUMP BODY	0CR18NI9	AISI304



KSMB Pump