



INDUSTRIAL PLUGS & SOCKETS SS - TYPE



BCH ELECTRIC LIMITED
we care for you



Industrial Plugs & Sockets

OFF-LOAD Decontactor - SS Type

BCH Industrial Plugs and Sockets (off-load Decontactors) combine simplicity, convenience and reliability. Their unique design makes use of the concept of spring-loaded butt-type contacts, instead of the conventional concept of pin-and-sleeve type.

BIL Industrial Plugs and Sockets are available in several contact combinations both for power as well as control circuits. They have advantages like positive, bayonet-type fitting between plugs and sockets, shrouding of live parts from accidental human touch, reliable earthing through butt-type silver-tipped contact. They are suitable for outdoor applications and for use under conditions of high vibrations. Plugs and sockets up to 5 pins for power circuit are rated for 30A at 500V and those meant for use on control circuits, up to 12 pins, have ratings of 12A at 500V.

Butt-type silver contacts

- Pre-determined optimum contact pressure for high conductivity.
- Low contact-resistance-low temperature-rise.
- Infinite plug interchangeability with consistent contact pressure i.e. no difference in contact-pressure with new or old plugs.
- Non-deteriorating contact carrying surface.
- Self aligning, self wiping contacts i.e. contacts wipe and align when the plug has been fully inserted.
- Reliability of silver contacts unaffected in high temperature conditions.

Interchangeability of interiors

The interiors of Plugs and sockets are interchangeable and are retained by cir - clips. The easy interchangeability enables many different arrangements to be made up from a minimum stock of components.

Earthing

The earth contact is always in the central position thus eliminating the possibility of inadvertently connecting a live contact to earth. It is also impossible to lodge or wedge bare conductors in the socket to obtain a supply.

Socket cover

The socket is fitted with a strong spring closed gasketed cover making the unit suitable for outdoor use.

Self Locking design

The plug cannot be pulled out of the socket by its cable or fall out on its own due to positive bayonet type fitting.

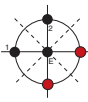

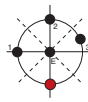
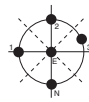
Electrical and Mechanical Ratings

PARAMETER	PLUGS AND SOCKETS FOR USE ON POWER CIRCUITS	PLUGS AND SOCKETS FOR USE ON CONTROL CIRCUITS
Contact options	2P + E 1P + E + N 3P + E 3P + E + N	Upto 12 contacts
Rated voltage	500V AC and DC	500V AC and DC
Thermal current (Ith)	30A (Copper cable) 20A (Alum. Cable)	12A (Copper cable) 8A (Alum. Cable)
Contact resistance	Less than 1m ohm	Less than 1m ohm
Contact pressure	1.2 kg. (min.) 1.35 kg. (max.)	1 kg. (min.) 1.15 kg. (max.)
Mechanical and electrical life	10,000 operations	10,000 operations
Conduit entry	3/4" dia	3/4" dia
Terminal capacity	6mm ²	1.5mm ²
Terminations	Spring loaded	Solder type

Approvals

- Electronics Components Standardisation Organisation, Ministry of Defence, Bangalore, as per JSS 508 19.
- Nirikshan Niyantanalaya (Vahan), Ahmednagar, for application on Vehicles and Trailors
- Central Machine Tools Institute, Bangalore, as per IEC: 309A

Selection chart

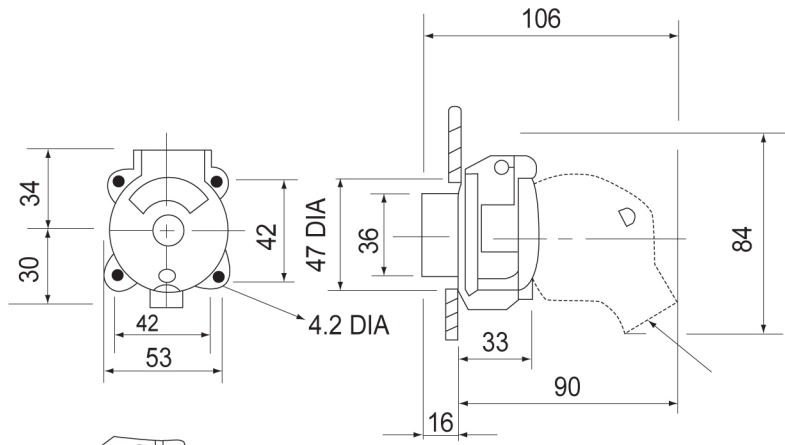
POWER CIRCUIT APPLICATIONS	CATALOGUE CODE			
Contact options	2P+E*	1P+N+E	3P+E	3P+N+E
Position contacts				
Panel mounting socket		2415B	2413B	2417B
Plug with inclined handle		215B	213B	217B

POWER CIRCUIT APPLICATIONS	CATALOGUE CODE	
No. of contacts	Panel mounting socket	Plug with inclined handle
12	2499/12	299/12B

* Available on request

Dimensions(mm)

Power Circuit Applications



Control Circuit Applications

