



PLUGS & SOCKETS (PS-Type)



BCH ELECTRIC LIMITED
we care for you



Plugs & Sockets

Reach beyond the conventional

BCH dedicated to the manufacture of Low Voltage Electrical & Electronic equipments and devices is a most trusted brand for over four decades. The PS Series Plugs & Sockets for your homes, offices and industry at large is designed to provide exceptional performance, security, aesthetics and most of all peace of mind.





PS Plugs & Sockets

PS-16 Range

Rated for 20 Amp at 500 Volts, the PS-16 Plugs & Sockets combine simplicity, convenience & reliability. It conforms to IEC 309, with IP44 protection and has been conferred with a CE certification which proves that it surpasses many stringent standards.

Plugs & Sockets (PS16) : 20 Amperes

- IP 44 Protection
- Conforms to IEC-309

Plugs	:	3P + E, 415 VAC	Sockets	:	Flush Mounting 415 VAC
	:	2P + E, 250 VAC		:	Flush Mounting 250 VAC
				:	Socket with wall mounting Box

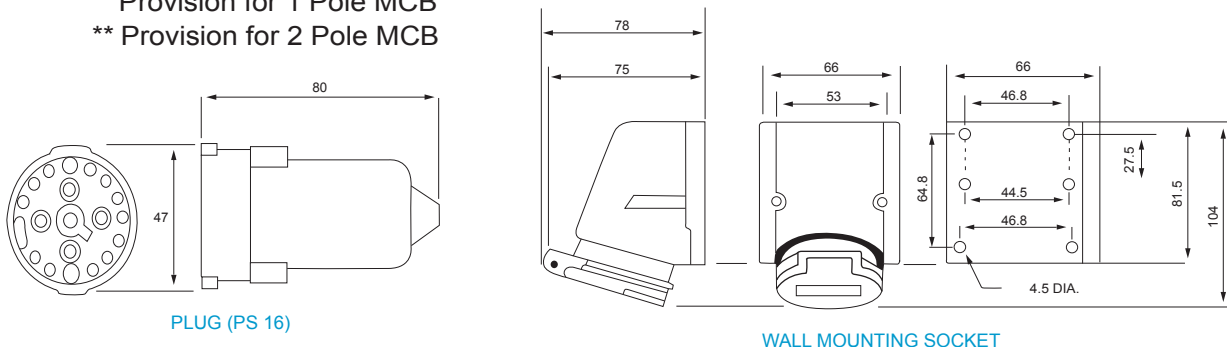
Plugs & Sockets Distribution Board (PSE) : 20 Amperes, 3 Pin

- Universal & Flush mounted
- 7 tank processed, powder coated box for excellent aesthetics and long life.

SELECTION TABLE (PS-16)

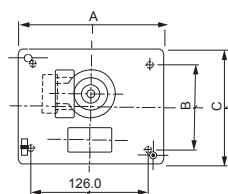
Description	Pins	Cat No.
Plug - 415 VAC	3P + E	PS16AA1
Plug - 250 VAC	2P + E	PS16AA7
Socket - Flush - 415 VAC	3P + E	PS16BA1
Socket - Flush - 250 VAC	2P + E	PS16BA7
Socket with Wall Mounting Box (415 VAC)	3P + E	PS16DA1
Socket with Wall Mounting Box (250 VAC)	2P + E	PS16DA7
20A Plug and Socket Box universal Mounting*	2P + E	PSEU201
20A Plug and Socket Box Flush Mounting*	2P + E	PSEF201
20A Plug and Socket Box Flush Mounting**	2P + E	PSEF202

* Provision for 1 Pole MCB
** Provision for 2 Pole MCB



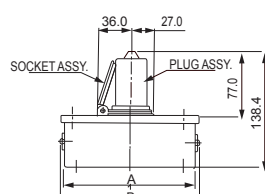
PLUG (PS 16)

WALL MOUNTING SOCKET

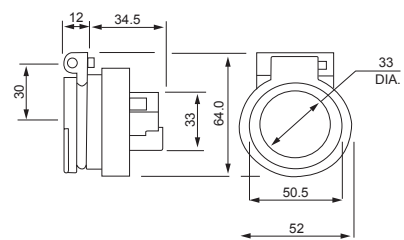


	PSEU201	PSEF201	PSEF 202
A	161.0	162.0	165.0
B	92.0	92.0	108.0
C	128.0	130.0	146.0

PLUG & SOCKET BOX ASSY.



	PSEU201	PSEF201	PSEF 202
A	153.5	153.0	155.0
B	161.0	161.0	161.0
TYPE	UNIVERSAL	FLUSH	FLUSH



SOCKET (PS 16)

*All Dimensions in mm



PS Plugs & Sockets

PS-32 Range

Rated for 32 Amp at 500 Volts, the new PS-32 Plugs & Sockets combine simplicity, convenience & reliability. It conforms to latest standard IEC 309, with IP54 protection. It is ideal for connecting single phase and 3 phase loads to take care of all domestic, commercial and industrial applications.

Plugs & Sockets : 32 Amperes

- IP 54 Protection
- Conforms to IEC-309

Plugs : 1P + E + N (3 Pin)

(inclined handle) 3P + E (4 Pin)

Sockets : 1P + E + N (3 Pin)

(panel mounting) 3P + E (4 Pin)

Plugs & Sockets Distribution Board (PSE) : 32 Amperes, 4 Pin (3P + E)

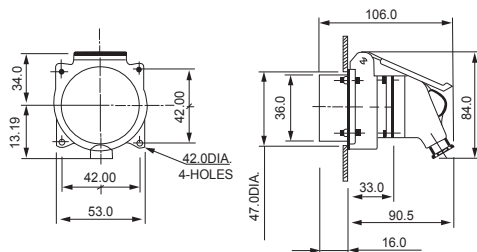
- 7 tank processed, powder coated box for excellent aesthetics and long life.
- Universal and flush mounted.
- 4 Pole cutout.

SELECTION TABLE (PS-32)

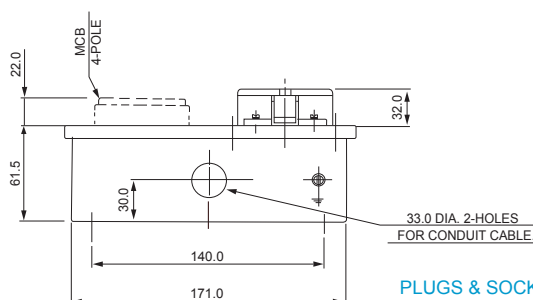
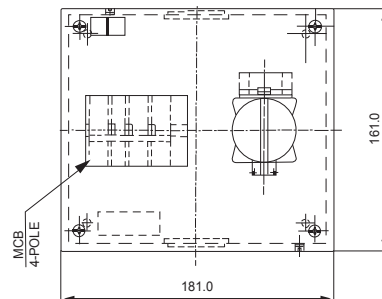
Description	Pins	Cat No.
32A, 4 PIN, Plug	3P + E	PS32AA1
32A, 4 PIN, Socket	3P + E	PS32BA1
32A, 3 PIN, Plug	1P + E + N	PS32AA7
32A, 3 PIN, Socket	1P + E + N	PS32BA7
32A, 5 PIN, Plug	3P + N + E	PS32AA5
32A, 5 PIN, Socket	3P + N + E	PS32BA5
32A, P&S Box-Universal	3P + E*	PSEU324
32A, P&S Box-Flush	3P + E*	PSEF324
32A, Plug & Socket Box-Universal	3P + N + E	PSEU325

* 4 Pole cutout to accommodate 4P/TPN MCB or 4P RCCB

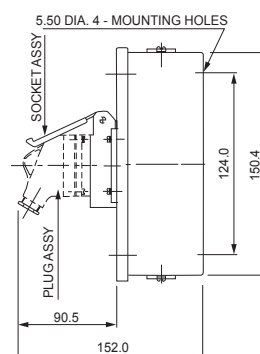
Note : 2 P+E version in PS32 Plugs & Sockets available on request



PANEL MOUNTING SOCKET
DIMNS. IN MM EXCEPT CONDUIT ENTRIES



PLUGS & SOCKET BOX ASSY.





Safe

The PS-16 & PS-32 range of Plugs and Sockets provides additional safety such as:

Self locking design :

Ensuring complete safety as plug cannot be withdrawn from socket accidentally.

Auto closing cover :

The socket has a protective cover, which ensures complete protection when plug is not inserted.

Strong

The unique rugged design of the PS-series Plugs and Sockets is due to a special contact system which ensures:

Low temperature rise :

Perfect contact ensures positive interlocking and eliminate burning and heating of contacts.

Constant contact pressure :

Spring loaded contact ensures constant pressure through out the life. So no chance of sparking, flash overs as seen in other conventional Plugs and Sockets.

Long life :

Silver-Nickel contact eliminates chances of welding and provides a long lasting life.

Smart

Elegance and aesthetics make the PS-series Plugs & Sockets ideal for all lifestyles in domestic, commercial and industrial areas.

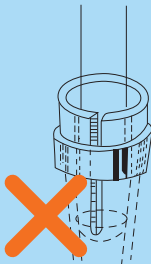
Ideal for Switching

- Air Conditioners
- Chillers
- Geysers
- and varied Commercial & Industrial Loads

Pin and sleeve contact

Conventional type

- Poor fit between plugs and sockets.
- High temperature rise.
- Copper / Brass contacts.
- High contact resistance.



Sparkless contacts

Butt type contact

- Self aligning, self wiping & spring loaded contacts.
- Extremely low temperature rise.
- Silver - Nickel contacts.
- Low contact resistance.

