



# BHARTIA BOXES



**BCH ELECTRIC LIMITED**  
*we care for you*

## **Versatile Solution**

Bhartia boxes and Terminal boxes provide a versatile solution for modern day industrial applications. The products are robust, compact & flexible offering complete safety in use.

Available in IP 55 & IP66 and suitable for Junction boxes, Control panels, Consoles, Distribution boards, Starter enclosures, Electronic equipment housing, Network distributors, Server and Data storage racks and many other applications.

## **Bhartia Boxes**

### **● RELIABILITY**

All enclosures are manufactured in the state of art manufacturing plant using CNC processes, resulting in high consistency and an aesthetically superior finish.

Robust housing is ensured as load bearing sections are made from single sheet - multifolded for extra stiffness. The resulting rigid structure eliminates need of separate sub frame.

The High grade powder coating provides very uniform and durable surface finish that enhances corrosion resistance.

Polyurethane gasket is foamed-in on to covers which ensures optimum Ingress protection and life - long durability.

### **● FLEXIBILITY**

Set of Combi rails available as an optional accessory, helps very fast assembly of the internal components.

Cable entry is provided from bottom as standard. Optional cable entry from Top or both Top and Bottom also can be provided for total flexibility of cable terminations.

Sturdy Cam locking is provided as standard. Optional 3 point lock system is also available.

Standard 2mm Mounting plate is provided facilitating installation of a variety of components, Ease of assembly, Maintenance and Aesthetics.

Host of Optional accessories are available that impart unmatched flexibility and provide customised solution with standard components.

### **● SAFETY AND SECURITY**

Cam locks are provided as a standard accessory that are openable only with cam key, preventing unauthorised access and tampering.

Earthing studs are provided as standard and earthing points are given on all discrete assembly sections, therefore enclosure is made totally safe from risk of leakage current.

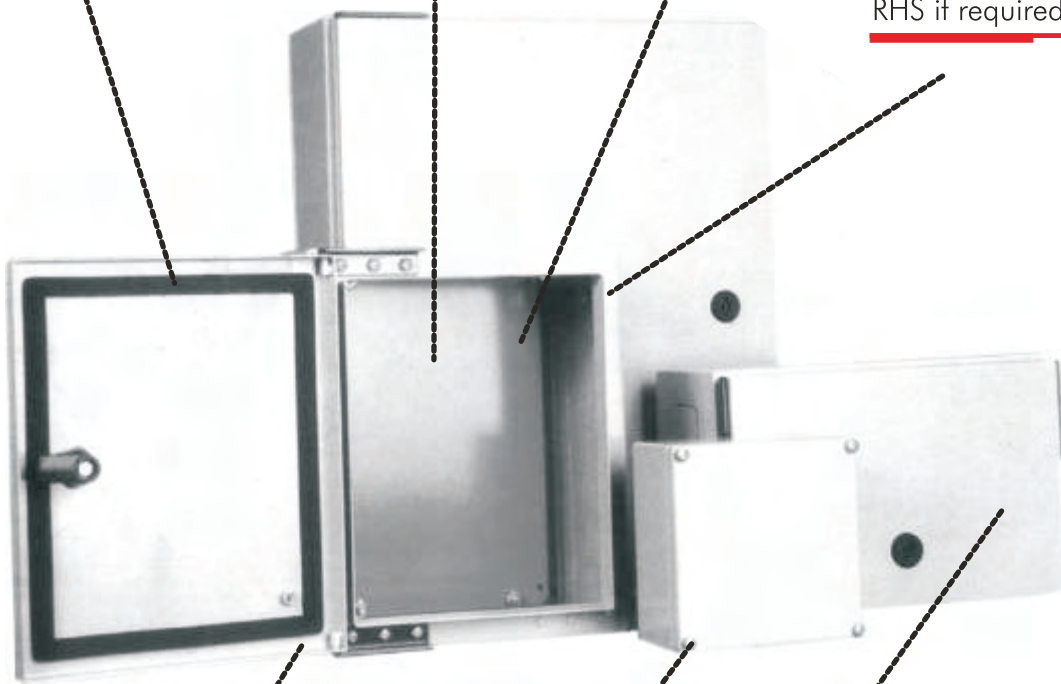
The padlock kit is available as an Optional accessory - that allows retrofit of a padlock on the housing door thereby securing the interiors.

Foamed-in polyurethane  
Oil and Chemical  
resistant gasket  
IP 55 & IP 66 degree of  
protection

When the box arrives at your  
doorstep you can start using it  
right away. All accessories are  
included and fitted - mounting  
plate-wall mounting brackets  
and key.

Mounting Plate fabricated  
from 2 mm. CRCA

Door reversibility - door  
normally fitted on LHS as  
Standard however,  
changeable to  
RHS if required



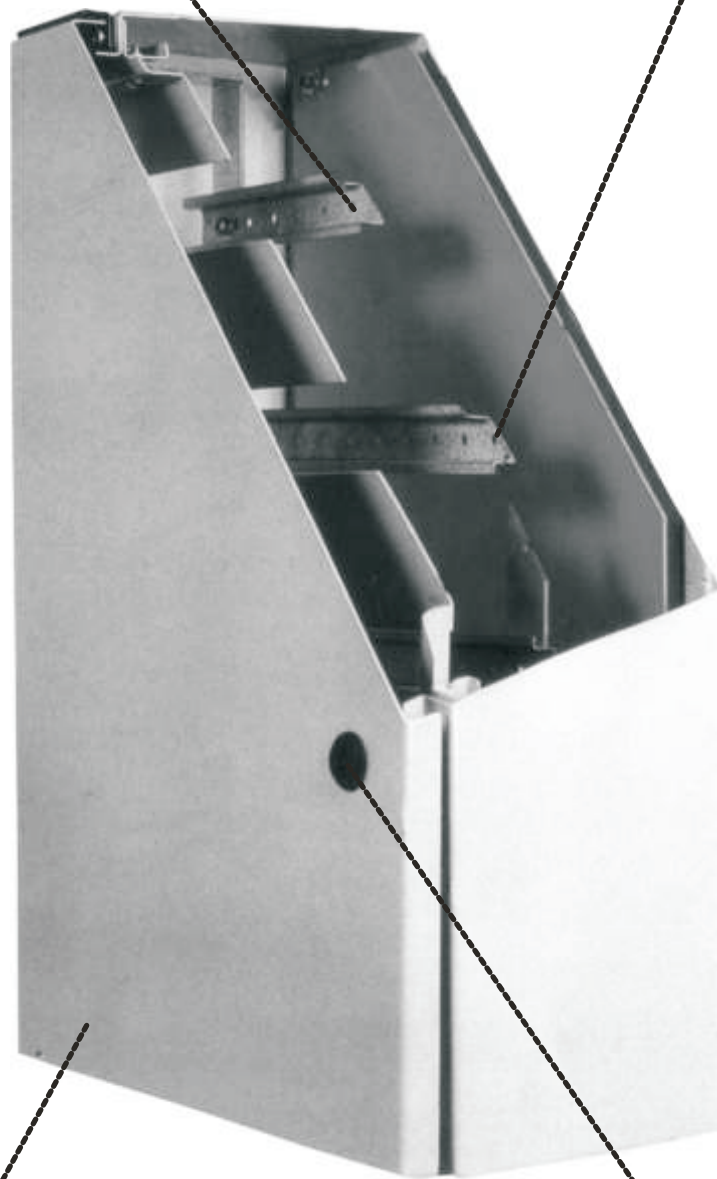
The door opens 180°  
for easy access.

Tough pretreatment by phosphat-  
ing and chrome passivation.  
Very strong and smooth powder  
coated surface Ral 7032.  
Easy to keep clean and maintain.

Terminal boxes  
with brackets  
for DIN rails  
included

The DIN-rails makes it perfect for sub distribution boards.

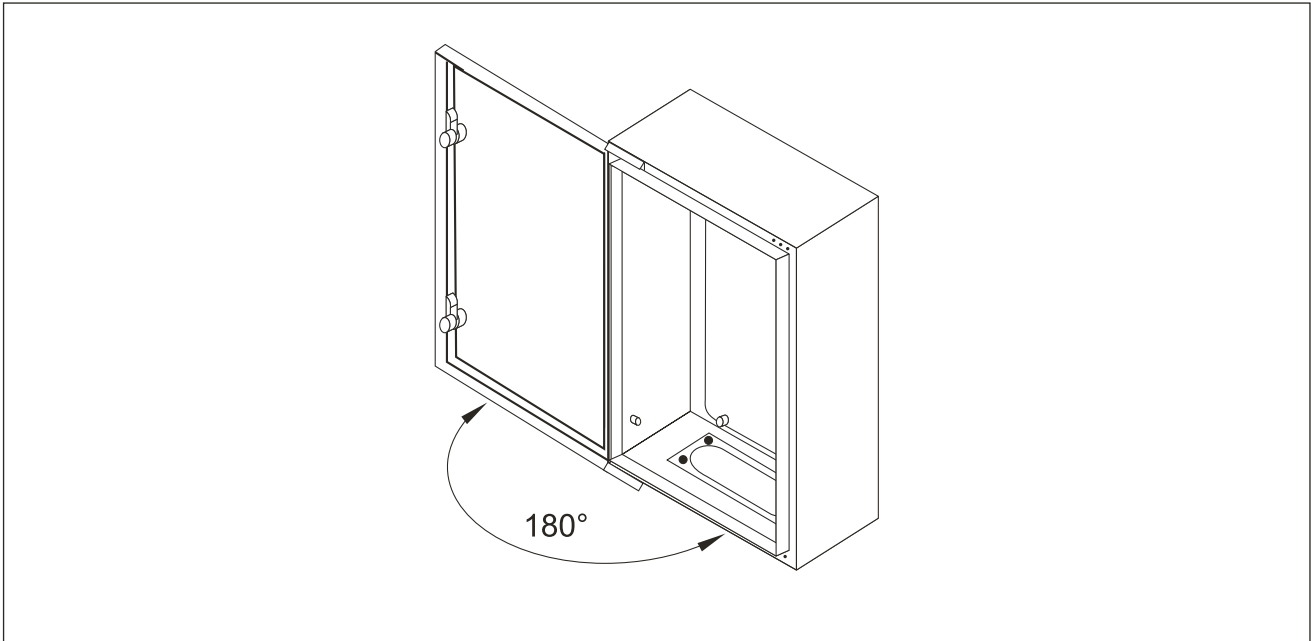
By fixing combi rails to the Box you can insert DIN-rails, 19" equipment, instrumentation plates and a lot of other accessories inside.



Doors can be hinged right or left.

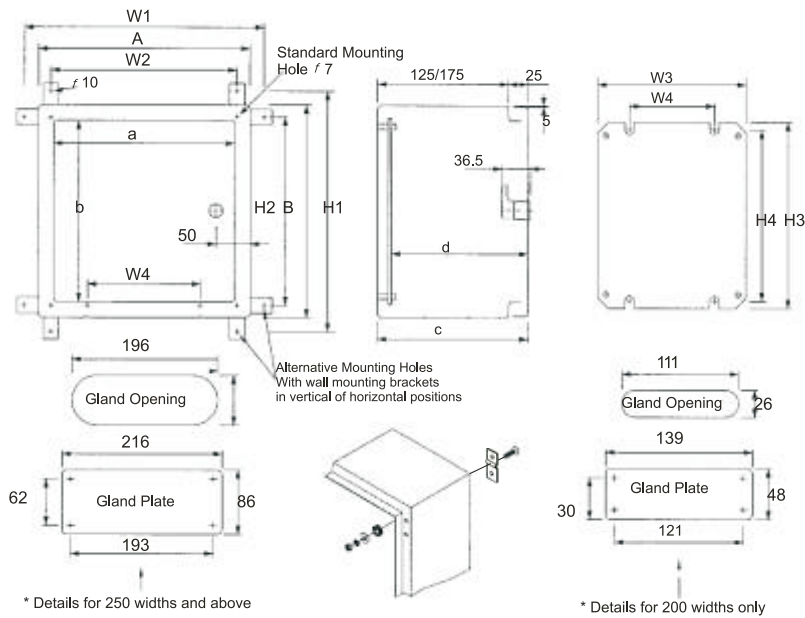
Secure locks using cam-key arrangement

## Bhartia Box IP55



TYPE	CAT. NO.	Size (W x H x D) mm	LOCKS	WEIGHT (Kg)
SINGLE DOOR BOX	BIL 50000	200 x 200 x 150	1	03.2
SINGLE DOOR BOX	BIL 50010	200 x 300 x 150	1	04.4
SINGLE DOOR BOX	BIL 50020	250 x 300 x 150	1	05.2
SINGLE DOOR BOX	BIL 50030	300 x 300 x 150	1	06.0
SINGLE DOOR BOX	BIL 50050	300 x 300 x 200	1	06.7
SINGLE DOOR BOX	BIL 50060	300 x 400 x 150	1	07.5
SINGLE DOOR BOX	BIL 50080	300 x 400 x 200	1	08.4
SINGLE DOOR BOX	BIL 50090	400 x 300 x 150	1	07.5
SINGLE DOOR BOX	BIL 50110	400 x 300 x 200	1	08.4
SINGLE DOOR BOX	BIL 50120	400 x 400 x 150	1	09.5
SINGLE DOOR BOX	BIL 50140	400 x 400 x 200	1	10.3
SINGLE DOOR BOX	BIL 50150	400 x 500 x 150	1	11.5
SINGLE DOOR BOX	BIL 50170	400 x 500 x 200	1	12.5
SINGLE DOOR BOX	BIL 50190	400 x 600 x 200	2	14.6
SINGLE DOOR BOX	BIL 50210	500 x 600 x 200	2	17.5
SINGLE DOOR BOX	BIL 50220	500 x 700 x 200	2	20.0
SINGLE DOOR BOX	BIL 50230	500 x 700 x 300	2	24.0
SINGLE DOOR BOX	BIL 50240	600 x 400 x 200	1	14.6
SINGLE DOOR BOX	BIL 50250	600 x 400 x 300	1	17.6
SINGLE DOOR BOX	BIL 50260	600 x 500 x 200	2	17.5
SINGLE DOOR BOX	BIL 50270	600 x 600 x 200	2	20.4
SINGLE DOOR BOX	BIL 50280	600 x 600 x 300	2	23.0
SINGLE DOOR BOX	BIL 50290	600 x 700 x 200	2	23.3
SINGLE DOOR BOX	BIL 50300	600 x 800 x 200	2	26.1
SINGLE DOOR BOX	BIL 50320	600 x 800 x 300	2	29.0
SINGLE DOOR BOX	BIL 50330	600 x 1000 x 200	2	33.7
SINGLE DOOR BOX	BIL 50340	600 x 1000 x 300	2	38.5
SINGLE DOOR BOX	BIL 50310	800 x 800 x 300	2	38.0
SINGLE DOOR BOX	BIL 50350	800 x 1000 x 200	2	40.5
SINGLE DOOR BOX	BIL 50360	800 x 1000 x 250	2	42.9
SINGLE DOOR BOX	BIL 50390	800 x 1000 x 300	2	45.0
DOUBLE DOOR BOX	BIL 50500	1000 x 800 x 200	2	43.0
DOUBLE DOOR BOX	BIL 50520	1000 x 800 x 300	2	48.0
DOUBLE DOOR BOX	BIL 50540	1000 x 1000 x 300	2	53.0

**Note:** Bhartia Boxes upto 400mm(W) x 500mm (H) x 200mm(D) fabricates from 1.2mm CRCA and beyond using 1.6 mm CRCA

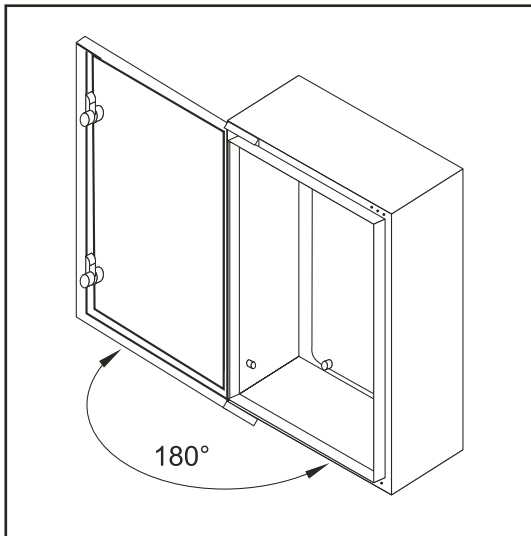


CAT. NO.	OVERALL SIZE			OPENING DEPTH			MOUNTING HOLE POSITIONS				MOUNTING PLATE HOLE SIZE			
	A	B	C	A	B	C	W1	W2	H1	H2	W3	H3	W4	H4
<b>SINGLE DOOR</b>														
BIL 50000	200	200	150	150	135	250	160	250	160	140	176	100	106	
BIL 50010	200	300	150	250	135	250	160	350	260	140	276	100	206	
BIL 50020	250	300	200	250	135	300	210	350	260	190	276	150	206	
BIL 50030	300	300	250	250	135	350	260	350	260	240	276	200	206	
BIL 50050	300	300	250	250	185	350	260	350	260	240	276	200	206	
BIL 50060	300	400	250	350	135	350	260	450	360	240	376	200	306	
BIL 50080	300	400	250	350	185	350	260	450	360	240	376	200	306	
BIL 50090	400	300	350	250	135	450	360	350	260	340	276	300	206	
BIL 50110	400	300	350	250	185	450	360	350	260	340	276	300	206	
BIL 50120	400	400	350	350	135	450	360	450	360	340	376	300	306	
BIL 50140	400	400	350	350	185	450	360	450	360	340	376	300	306	
BIL 50150	400	500	350	450	135	450	360	550	460	340	476	300	406	
BIL 50170	400	500	350	450	185	450	360	550	460	340	476	300	406	
BIL 50190	400	600	350	550	185	450	360	650	560	340	576	300	506	
BIL 50210	500	600	450	550	185	550	460	650	560	440	576	400	506	
BIL 50220	500	700	450	650	185	550	460	750	660	440	676	400	606	
BIL 50230	500	700	450	650	285	550	460	750	660	440	676	400	606	
BIL 50240	600	400	550	350	185	650	560	450	360	540	376	500	306	
BIL 50250	600	400	550	350	285	650	560	450	360	540	376	500	306	
BIL 50260	600	500	550	450	185	650	560	550	460	540	476	500	406	
BIL 50270	600	600	550	550	185	650	560	650	560	540	576	500	506	
BIL 50280	600	600	550	550	285	650	560	650	560	540	576	500	506	
BIL 50290	600	700	550	650	185	650	560	750	660	540	676	500	606	
BIL 50300	600	800	550	750	185	650	560	850	760	540	776	500	706	
BIL 50320	600	800	550	750	285	650	560	850	760	540	776	500	706	
BIL 50330	600	1000	550	950	185	650	560	1050	960	540	976	500	906	
BIL 50340	600	1000	550	950	285	650	560	1050	960	540	976	500	906	
BIL 50310	800	800	750	750	285	850	760	850	760	740	776	700	706	
BIL 50350	800	1000	750	950	185	850	760	1050	960	740	976	700	906	
BIL 50360	800	1000	750	950	235	850	760	1050	960	740	976	700	906	
BIL 50390	800	1000	750	950	285	850	760	1050	960	740	976	700	906	
<b>DOUBLE DOOR</b>														
BIL 50500	1000	800	950	750	185	1050	960	850	760	940	776	900	706	
BIL 50520	1000	800	950	750	285	1050	960	850	760	940	776	900	706	
BIL 50540	1000	1000	950	950	285	1050	960	1050	960	940	976	900	906	

\*All dimensions in mm

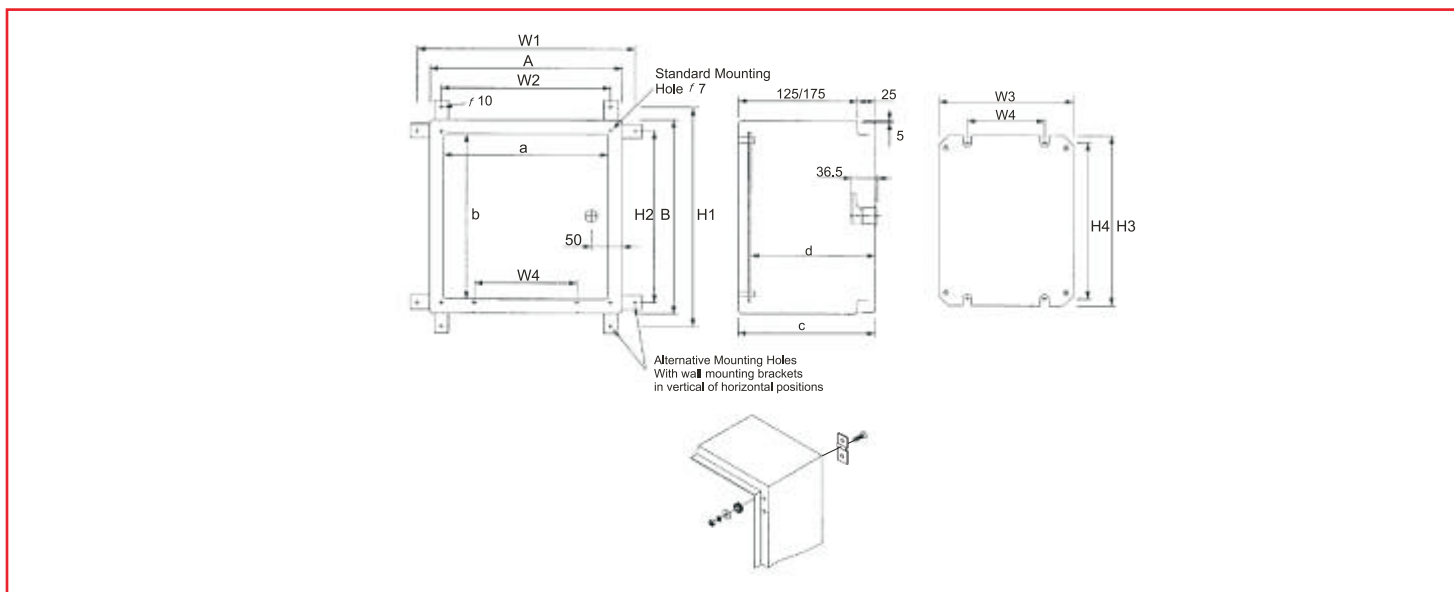


## Bhartia Box IP66



TYPE	CAT. NO.	Size (W x H x D) mm	LOCKS	WEIGHT (Kg)
SINGLE DOOR BOX	BIL 60000	200 x 200 x 150	1	3.20
SINGLE DOOR BOX	BIL 60010	200 x 300 x 150	1	4.40
SINGLE DOOR BOX	BIL 60020	250 x 300 x 150	1	5.20
SINGLE DOOR BOX	BIL 60030	300 x 300 x 150	1	6.00
SINGLE DOOR BOX	BIL 60050	300 x 300 x 200	1	6.70
SINGLE DOOR BOX	BIL 60060	300 x 400 x 150	1	7.50
SINGLE DOOR BOX	BIL 60080	300 x 400 x 200	1	8.40
SINGLE DOOR BOX	BIL 60090	400 x 300 x 150	1	7.50
SINGLE DOOR BOX	BIL 60110	400 x 300 x 200	1	8.40
SINGLE DOOR BOX	BIL 60120	400 x 400 x 150	1	9.50
SINGLE DOOR BOX	BIL 60140	400 x 400 x 200	1	10.3
SINGLE DOOR BOX	BIL 60150	400 x 500 x 150	1	11.5
SINGLE DOOR BOX	BIL 60170	400 x 500 x 200	1	12.5
SINGLE DOOR BOX	BIL 60190	400 x 600 x 200	2	14.6
SINGLE DOOR BOX	BIL 60210	500 x 600 x 200	2	17.5
SINGLE DOOR BOX	BIL 60240	600 x 400 x 200	1	14.6
SINGLE DOOR BOX	BIL 60260	600 x 500 x 200	2	17.5

## Mounting Details



CAT. NO.	OVERALL SIZE			OPENING DEPTH			MOUNTING HOLE POSITIONS				MOUNTING PLATE HOLE SIZE				MOUNTING PLATE HOLE SIZE			
	A	B	C	A	B	C	W1	W2	H1	H2	W3	H3	W4	H4	W3	H3	W4	H4
BIL 60000	200	200	150	150	150	135	250	160	250	160	140	176	100	106	140	176	100	106
BIL 60010	200	300	150	150	250	135	250	160	350	260	140	276	100	206	140	276	100	206
BIL 60020	250	300	150	200	250	135	300	210	350	260	190	276	150	206	190	276	150	206
BIL 60030	300	300	150	250	250	135	350	260	350	260	240	276	200	206	240	276	200	206
BIL 60050	300	300	200	250	250	185	350	260	350	260	240	276	200	206	240	276	200	206
BIL 60060	300	400	150	250	350	135	350	260	450	360	240	376	200	306	240	376	200	306
BIL 60080	300	400	200	250	350	185	350	260	450	360	240	376	200	306	240	376	200	306
BIL 60090	400	300	150	350	250	135	450	360	350	260	340	276	300	206	340	276	300	206
BIL 60110	400	300	200	350	250	185	450	360	350	260	340	276	300	206	340	276	300	206
BIL 60120	400	400	150	350	350	135	450	360	450	360	340	376	300	306	340	376	300	306
BIL 60140	400	400	200	350	350	185	450	360	450	360	340	376	300	306	340	376	300	306
BIL 60150	400	500	150	350	450	135	450	360	550	460	340	476	300	406	340	476	300	406
BIL 60170	400	500	200	350	450	185	450	360	550	460	340	476	300	406	340	476	300	406
BIL 60190	400	600	200	350	550	185	450	360	650	560	340	576	300	506	340	576	300	506
BIL 60210	500	600	200	450	550	185	550	460	650	560	440	576	400	506	440	576	400	506
BIL 60240	600	400	200	550	350	185	650	560	450	360	540	376	500	306	540	376	500	306
BIL 60260	600	500	200	550	450	185	650	560	550	460	540	476	500	406	540	476	500	406

## **OPTIONAL ACCESSORIES - BHARTIA BOXES**

**(a) COMBI RAIL**

retrofit with doors, providing perforated channel for fastening wiring harnesses, etc.

**(b) INSERTS**

to take on DIN rails inside standard enclosure

**(c) BLANK FRONT PLATE -**

for mounting annunciation device / accessories on separate inner sheet.

**(d) 19 INCH MOUNTING RAILS**

for direct retrofit of electronic & automation devices.

**(e) GLASS DOOR**

for aesthetic finish & operational utility.

**(f) CANOPY**

for outdoor installation.

**(g) WALL MOUNTING BRACKET**

stand off option

**(h) GLAND PLATES & LOUVERS**

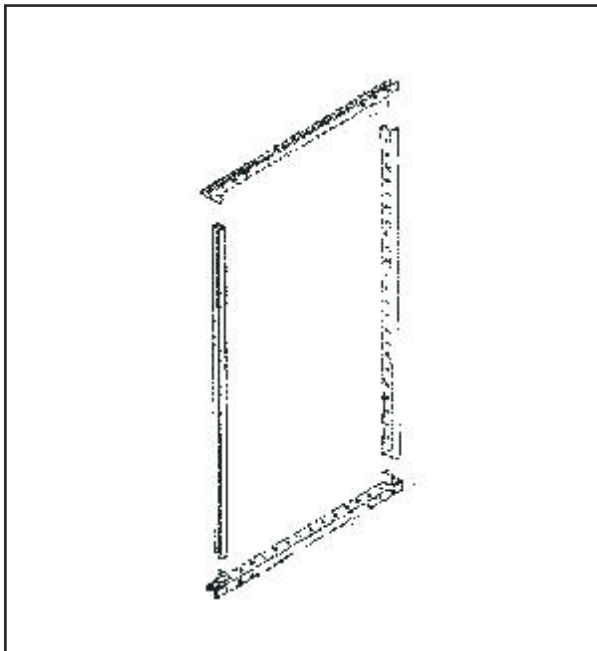
for cable Termination and Ventilation respectively.

**(i) PADLOCK KIT**

for additional safety

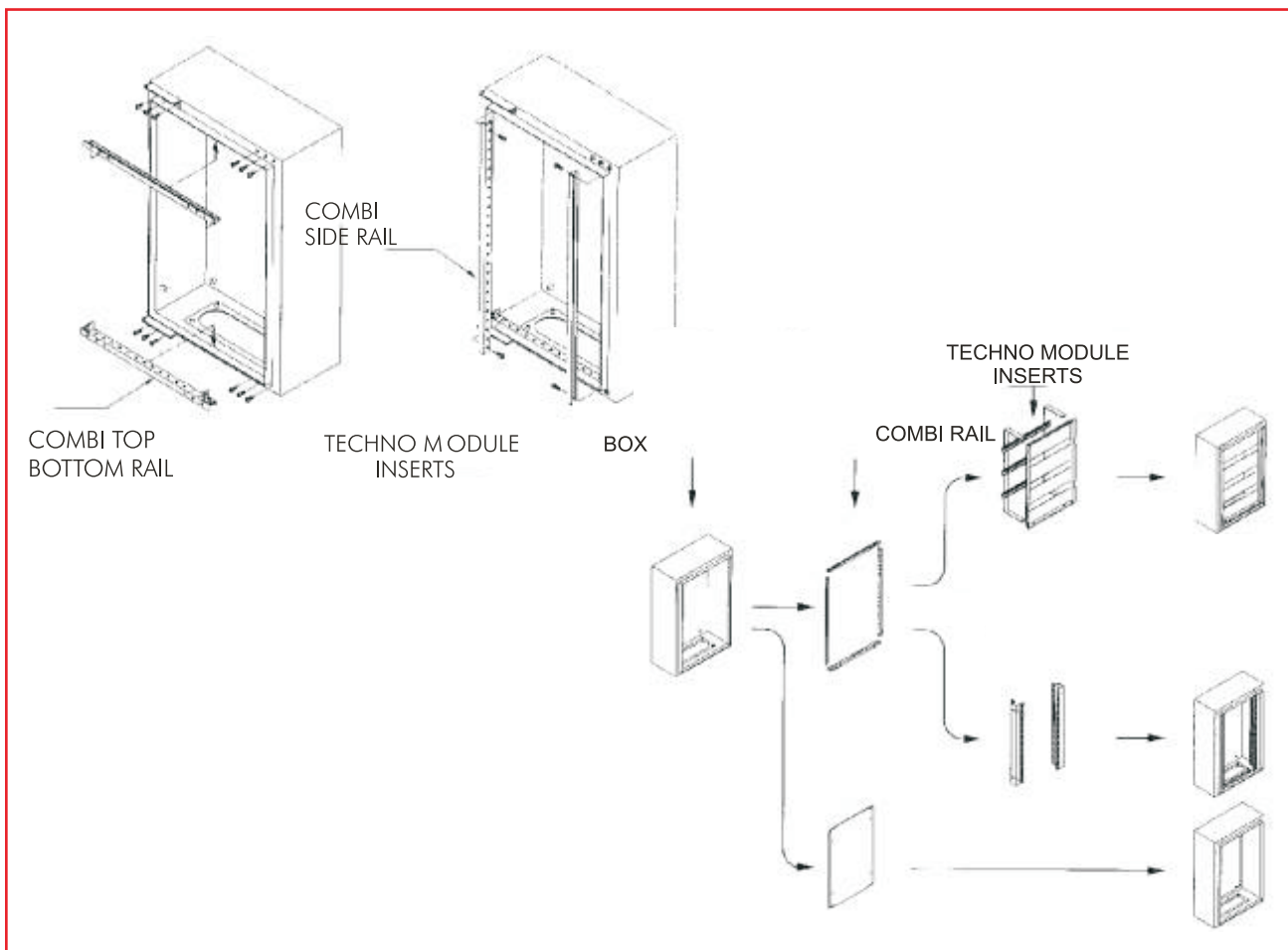


## Combi Rails

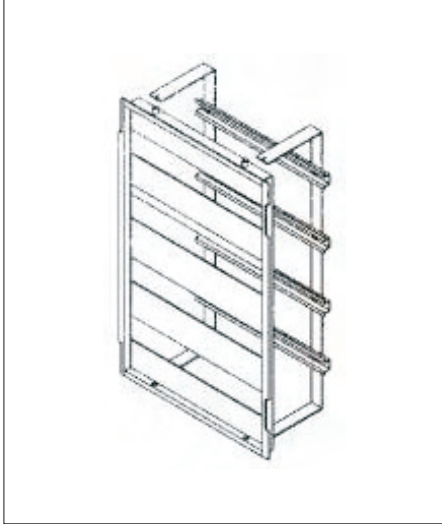


CAT. NO.	DESCRIPTION	SIZE ( W x H ) mm	WEIGHT (Kg)
BIL 51300	COMBI RAIL	200 x 200	0.30
BIL 51310	COMBI RAIL	200 x 300	0.38
BIL 51320	COMBI RAIL	250 x 300	0.48
BIL 51330	COMBI RAIL	300 x 300	0.51
BIL 51340	COMBI RAIL	300 x 400	0.58
BIL 51350	COMBI RAIL	400 x 300	0.68
BIL 51360	COMBI RAIL	400 x 400	0.72
BIL 51370	COMBI RAIL	400 x 500	0.86
BIL 51380	COMBI RAIL	400 x 600	0.86
BIL 51390	COMBI RAIL	500 x 600	0.96
BIL 51400	COMBI RAIL	500 x 700	0.96
BIL 51410	COMBI RAIL	600 x 400	1.34
BIL 51420	COMBI RAIL	600 x 500	1.37
BIL 51430	COMBI RAIL	600 x 600	1.42
BIL 51440	COMBI RAIL	600 x 700	1.24
BIL 51450	COMBI RAIL	600 x 800	1.37
BIL 51460	COMBI RAIL	600 x 1000	1.35
BIL 51470	COMBI RAIL	800 x 800	1.41
BIL 51480	COMBI RAIL	800 x 1000	1.60
BIL 51490	COMBI RAIL	1000 x 800	1.60

## Mounting Details

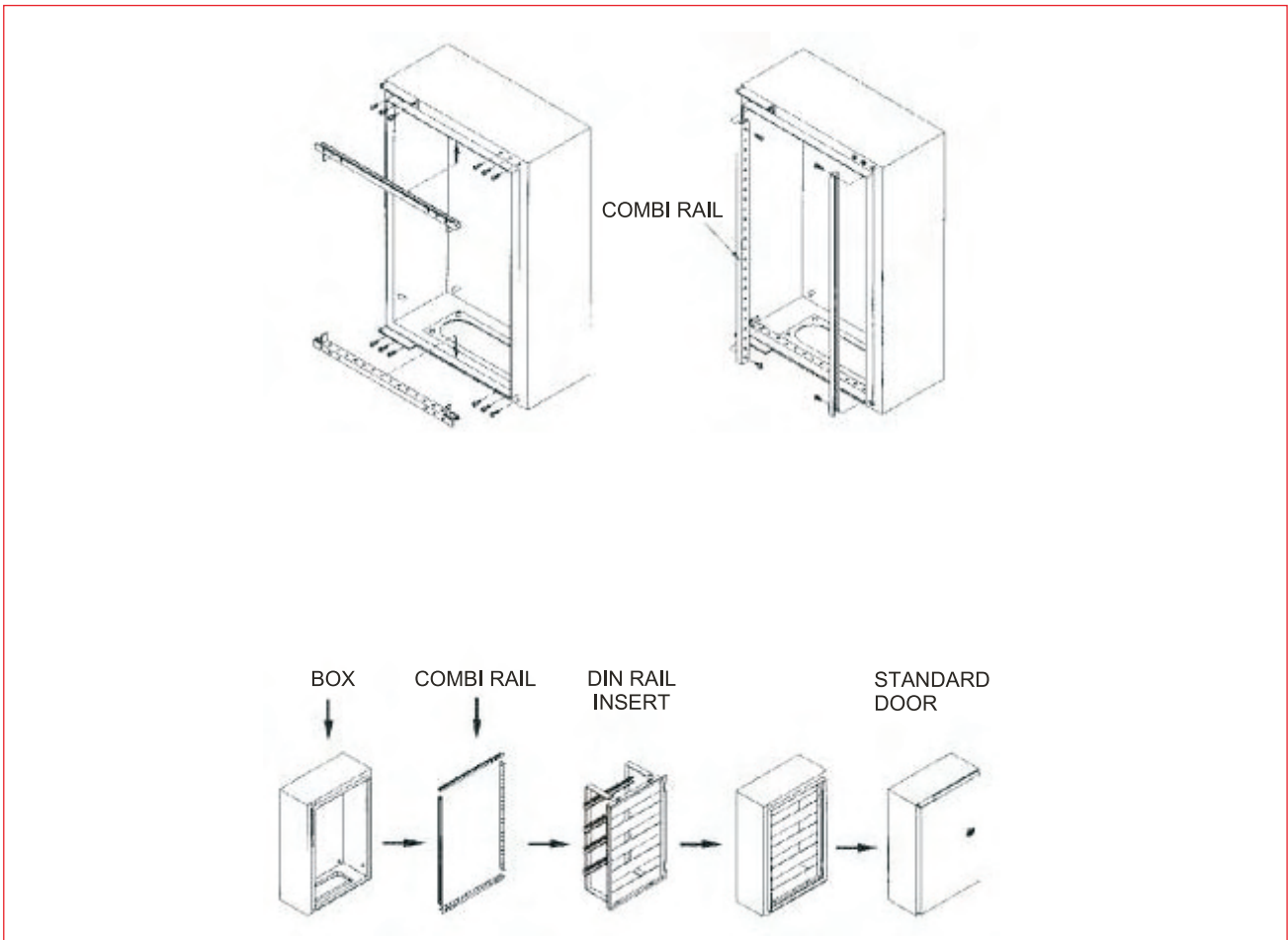


## DIN Rail Insert

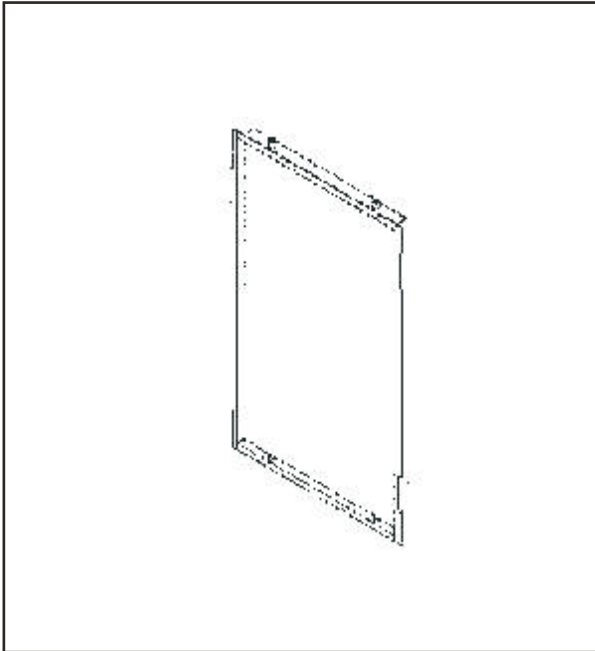


CAT. NO.	DESCRIPTION	ROWS + UNITS	SIZE ( W x H ) mm	WEIGHT (Kg)
BIL 30000	DIN RAIL INSERT	1 x 6	200 x 200	0.30
BIL 30010	DIN RAIL INSERT	1 x 6	200 x 300	0.38
BIL 30020	DIN RAIL INSERT	2 x 9	250 x 300	0.48
BIL 30030	DIN RAIL INSERT	2 x 12	300 x 300	0.51
BIL 30040	DIN RAIL INSERT	2 x 12	300 x 400	0.58
BIL 30060	DIN RAIL INSERT	2 x 18	400 x 300	0.68
BIL 30070	DIN RAIL INSERT	2 x 18	400 x 400	0.72
BIL 30080	DIN RAIL INSERT	3 x 18	400 x 500	0.86
BIL 30090	DIN RAIL INSERT	4 x 18	400 x 600	0.86
BIL 30120	DIN RAIL INSERT	4 x 24	500 x 600	0.96
BIL 30130	DIN RAIL INSERT	5 x 24	500 x 700	0.96
BIL 30150	DIN RAIL INSERT	2 x 29	600 x 400	1.34
BIL 30160	DIN RAIL INSERT	3 x 29	600 x 500	1.37
BIL 30170	DIN RAIL INSERT	4 x 29	600 x 600	1.42
BIL 30180	DIN RAIL INSERT	5 x 29	600 x 700	1.24
BIL 30190	DIN RAIL INSERT	6 x 29	600 x 800	1.37
BIL 30200	DIN RAIL INSERT	7 x 29	600 x 1000	1.35
BIL 30220	DIN RAIL INSERT	6 x 41	800 x 800	1.35
BIL 30210	DIN RAIL INSERT	7 x 41	800 x 1000	1.60
BIL 30230	DIN RAIL INSERT	6 x 41	1000 x 800	1.60

## Mounting Details

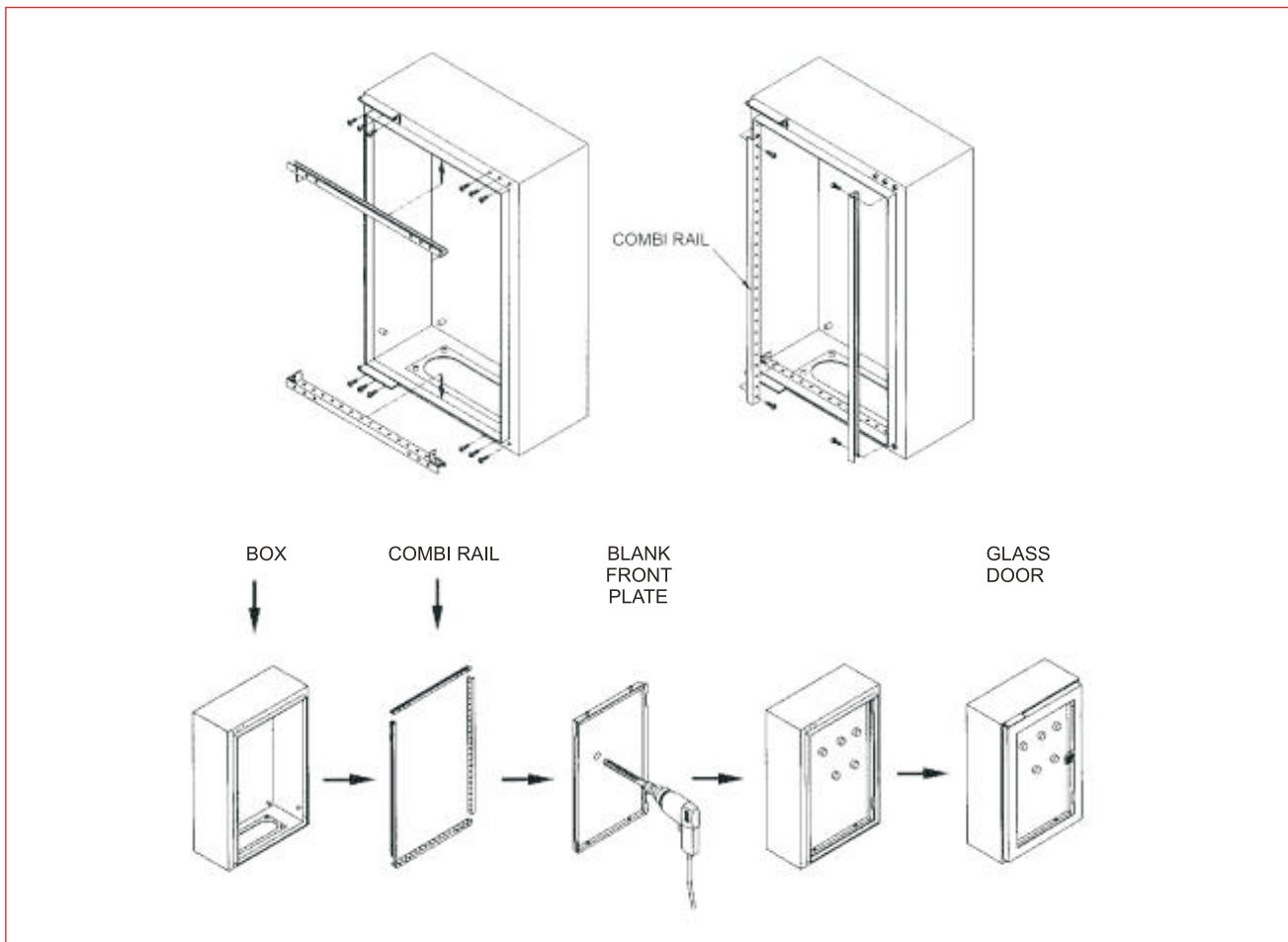


## Blank Front Plate

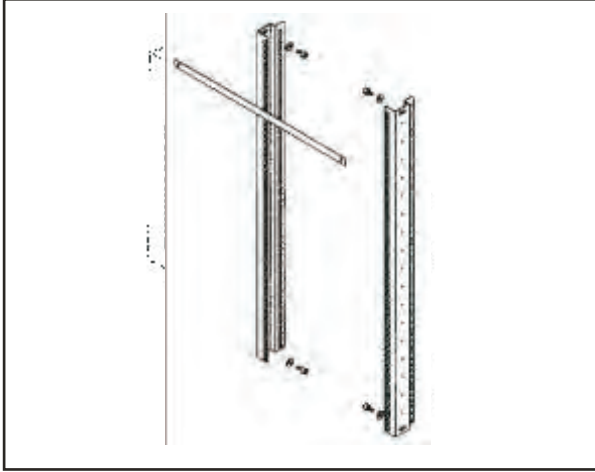


CAT. NO.	DESCRIPTION	SIZE ( W x H ) mm	WEIGHT (Kg)
BIL 30300	BLANK FRONT PLATE	200 x 200	0.30
BIL 30310	BLANK FRONT PLATE	200 x 300	0.38
BIL 30320	BLANK FRONT PLATE	250 x 300	0.48
BIL 30330	BLANK FRONT PLATE	300 x 300	0.51
BIL 30340	BLANK FRONT PLATE	300 x 400	0.58
BIL 30360	BLANK FRONT PLATE	400 x 300	0.68
BIL 30770	BLANK FRONT PLATE	400 x 400	0.72
BIL 30380	BLANK FRONT PLATE	400 x 500	0.86
BIL 30390	BLANK FRONT PLATE	400 x 600	0.86
BIL 30420	BLANK FRONT PLATE	500 x 600	0.96
BIL 30430	BLANK FRONT PLATE	500 x 700	0.96
BIL 30450	BLANK FRONT PLATE	600 x 400	1.34
BIL 30460	BLANK FRONT PLATE	600 x 500	1.37
BIL 30470	BLANK FRONT PLATE	600 x 600	1.42
BIL 30480	BLANK FRONT PLATE	600 x 700	1.24
BIL 30490	BLANK FRONT PLATE	600 x 800	1.37
BIL 30500	BLANK FRONT PLATE	600 x 1000	1.35
BIL 30520	BLANK FRONT PLATE	800 x 800	1.35
BIL 30510	BLANK FRONT PLATE	800 x 1000	1.60
BIL 30530	BLANK FRONT PLATE	1000 x 800	1.60

## Mounting Details

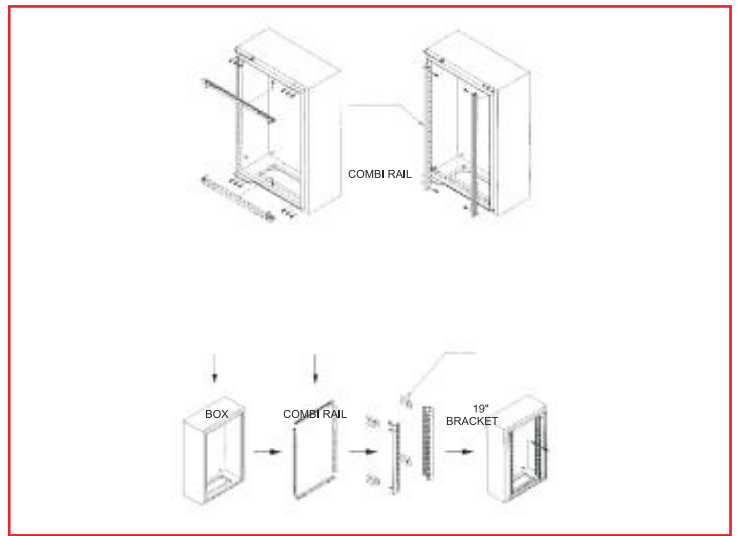


## 19" Mounting Rail

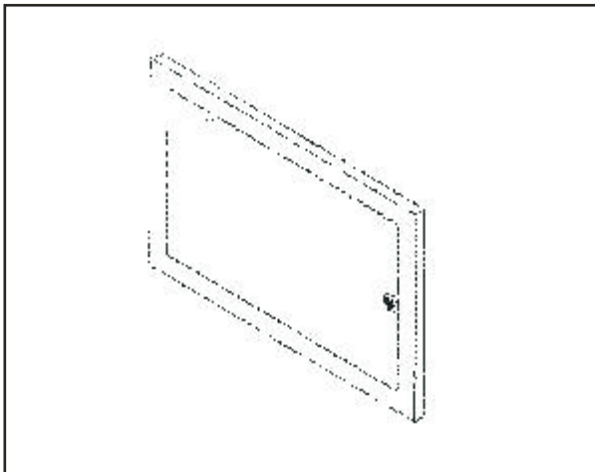


Mounting Details

CAT. NO.	DESCRIPTION	U / HE	SIZE (Height)mm	Weight (Kg)
BIL-40898	19" RAILS	7U	400	0.40
BIL-40930	19" RAILS		500	0.48
BIL-40900	19" RAILS	12U	600	0.55
BIL-40940	19" RAILS		700	0.67
BIL-40910	19" RAILS	16U	800	0.80
BIL-40920	19" RAILS	21U	1000	1.20

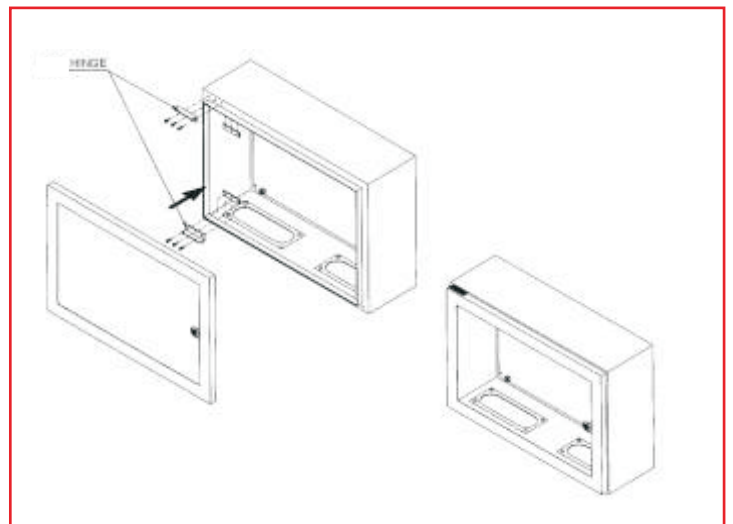


## Glass Door

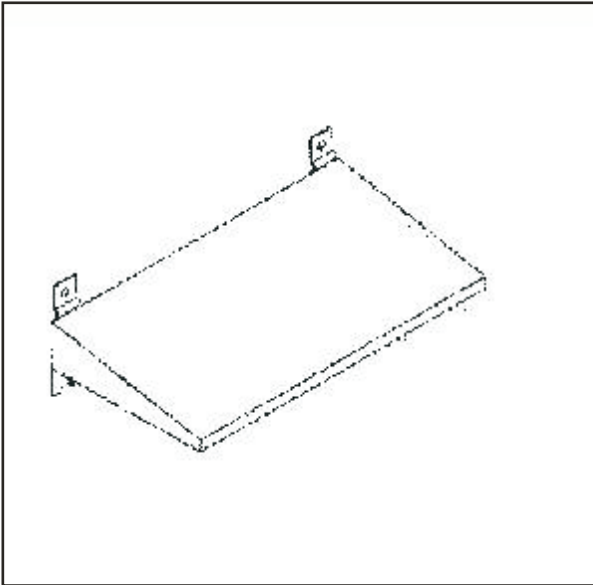


CAT. NO.	DESCRIPTION	SIZE ( W x H ) mm	WEIGHT (Kg)
BIL-51800	GLASS DOOR	400 x 200	1.40
BIL-51810	GLASS DOOR	400 x 400	2.55
BIL-51820	GLASS DOOR	400 x 600	3.70
BIL-51850	GLASS DOOR	600 x 200	2.04
BIL-51860	GLASS DOOR	600 x 400	3.70
BIL-51870	GLASS DOOR </td <td>600 x 600</td> <td>5.37</td>	600 x 600	5.37
BIL-51880	GLASS DOOR	600 x 800	7.40

Mounting Details

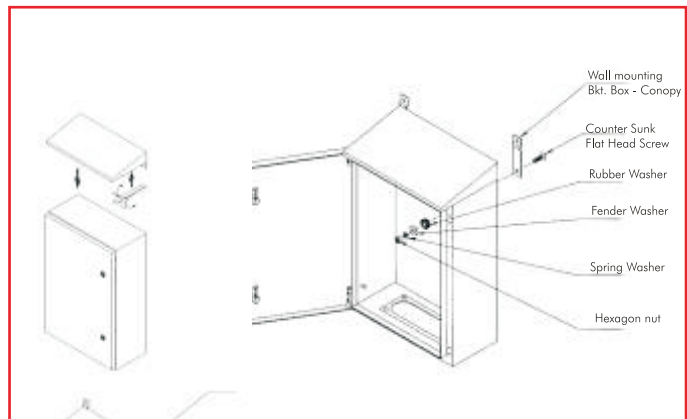


## Canopy

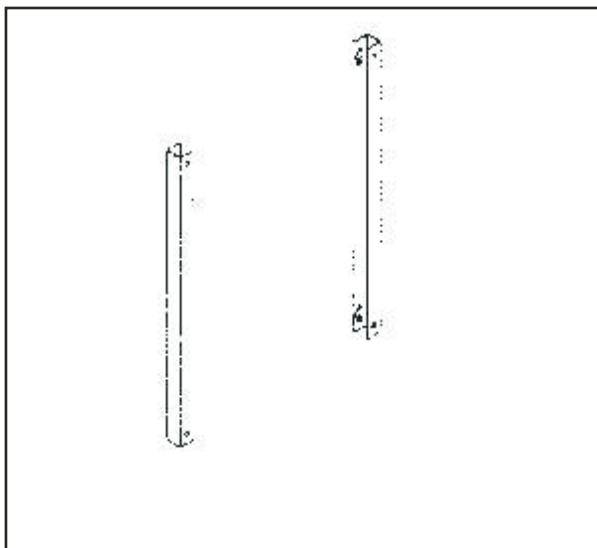


CAT. NO.	DESCRIPTION	SIZE ( W x H ) mm	WEIGHT ( kg)
BIL-52000	CANOPY	300 x 150	1.08
BIL-52010	CANOPY	400 x 150	1.36
BIL-52050	CANOPY	300 x 200	1.48
BIL-52060	CANOPY	400 x 200	1.83
BIL-52080	CANOPY	500 x 200	2.20
BIL-52070	CANOPY	600 x 200	2.60
BIL-52100	CANOPY	800 x 200	3.40
BIL-52110	CANOPY	800 x 250	3.70
BIL-52120	CANOPY	500 x 300	2.60
BIL-52130	CANOPY	600 x 300	3.00
BIL-52140	CANOPY	800 x 300	3.80

## Mounting Details

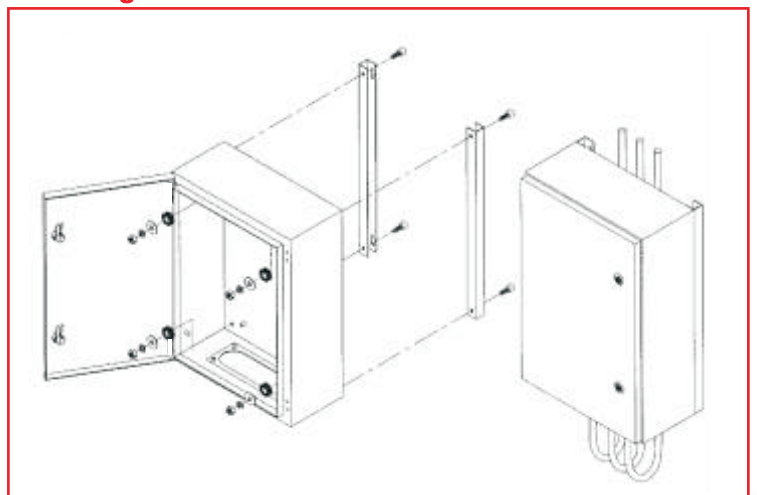


## Stand Off Wall Mounting Brackets















CAT. NO.	DESCRIPTION	HEIGHT ( mm )	WEIGHT (Kg)
BIL-52200	WALL MOUNTING BRACKET	200	0.39
BIL-52210	WALL MOUNTING BRACKET	300	0.59
BIL-52220	WALL MOUNTING BRACKET	400	0.79
BIL-52230	WALL MOUNTING BRACKET	500	0.98
BIL-52240	WALL MOUNTING BRACKET	600	1.18
BIL-52250	WALL MOUNTING BRACKET	700	1.38
BIL-52260	WALL MOUNTING BRACKET	800	1.58
BIL-52270	WALL MOUNTING BRACKET	1000	1.97

## Mounting Details



# Glands

14750  STEEL GREY	14760  STEEL GREY
14770  STEEL GREY	14780  STEEL GREY
14790  STEEL WHITE	14800  STEEL WHITE
14830  STEEL GREY	14840  STEEL GREY
14850  STEEL WHITE	14860  STEEL WHITE
14870  STEEL WHITE	14880  STEEL WHITE

CAT. NO.	DESCRIPTION	SIZE (mm)	WEIGHT (Kg)
BIL-14750	Gland Plate with stud - STEEL GREY	216 x 86	0.30
BIL-14760	Gland Plate with stud - STEEL GREY	139 x 48	0.06
BIL-14770	Gland Plate - STEEL GREY	216 x 86	0.30
BIL-14780	Gland Plate - STEEL GREY	139 x 48	0.06
BIL-14790	Gland Plate - STEEL WHITE	216 x 86	0.30
BIL-14800	Gland Plate - STEEL WHITE	139 x 48	0.06
BIL-14830	Louvre Plate - STEEL GREY	216 x 86	0.30
BIL-14840	Louvre Plate - STEEL GREY	139 x 48	0.06
BIL-14850	Louvre plate with stud - STEEL WHITE	216 x 86	0.30
BIL-14860	Louvre plate with stud - STEEL WHITE	139 x 48	0.06
BIL-14870	Louvre plate - STEEL WHITE	216 x 86	0.30
BIL-14880	Louvre plate - STEEL WHITE	139 x 48	0.06

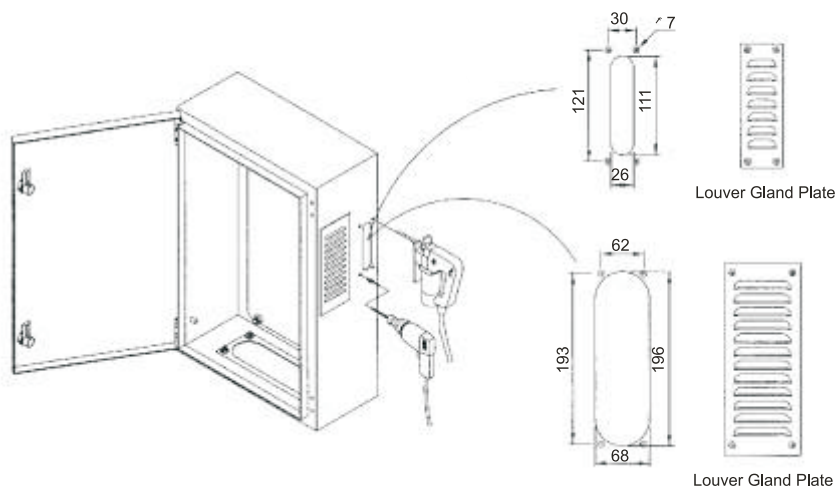
## Mounting Details



**QUICK GLAND**  
14730

①

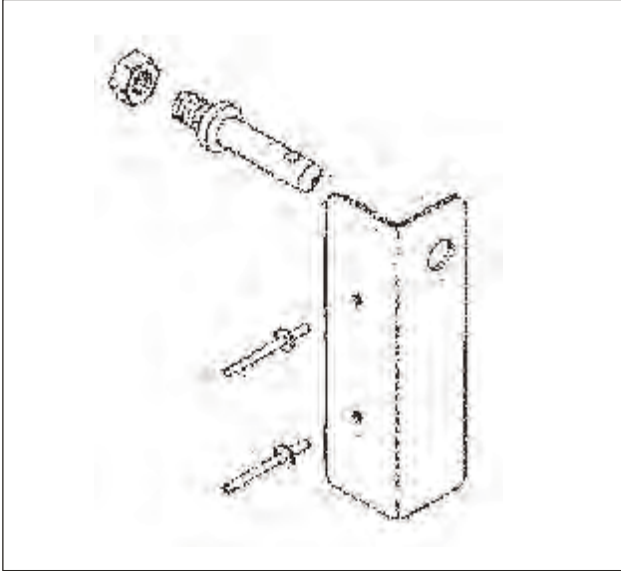
②



Louvre Gland Plate

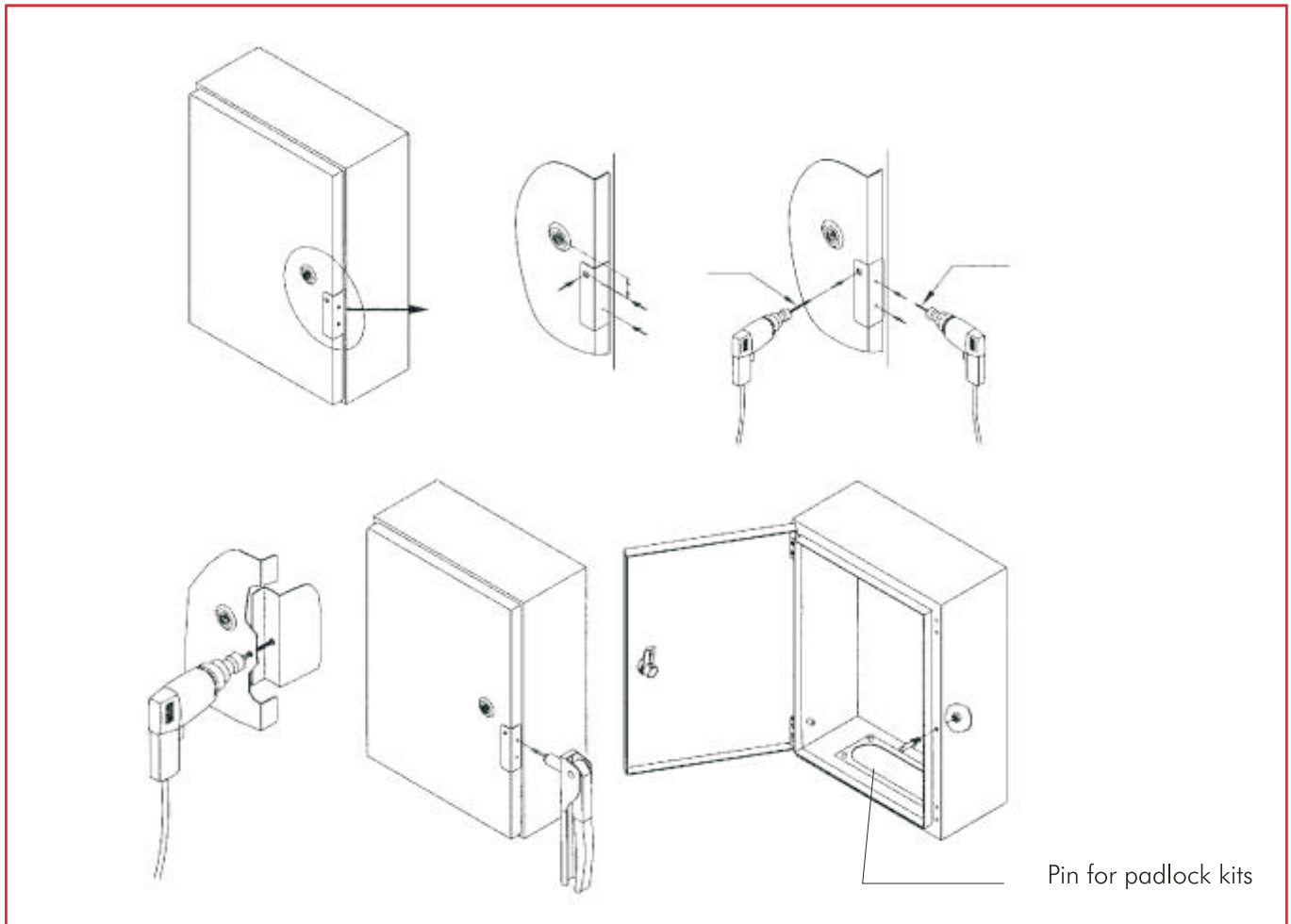
Louver Gland Plate

## Padlock Kit



CAT. NO.	DESCRIPTION	WEIGHT (kg)
BIL-52300	PADLOCK KIT	0.47

## Mounting Details

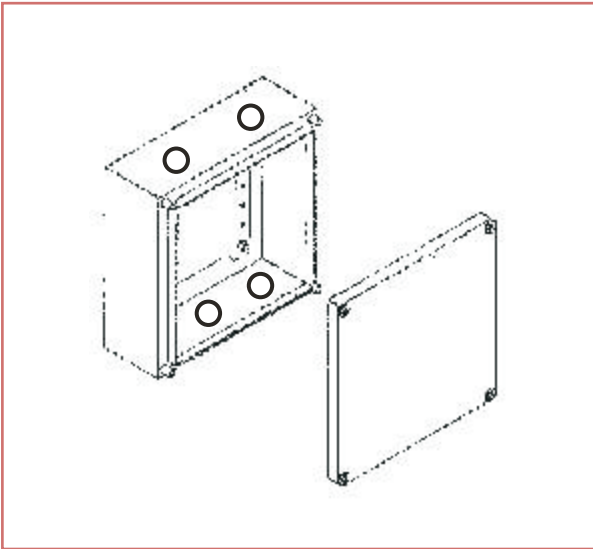




## SALIENT FEATURES - TERMINAL BOXES

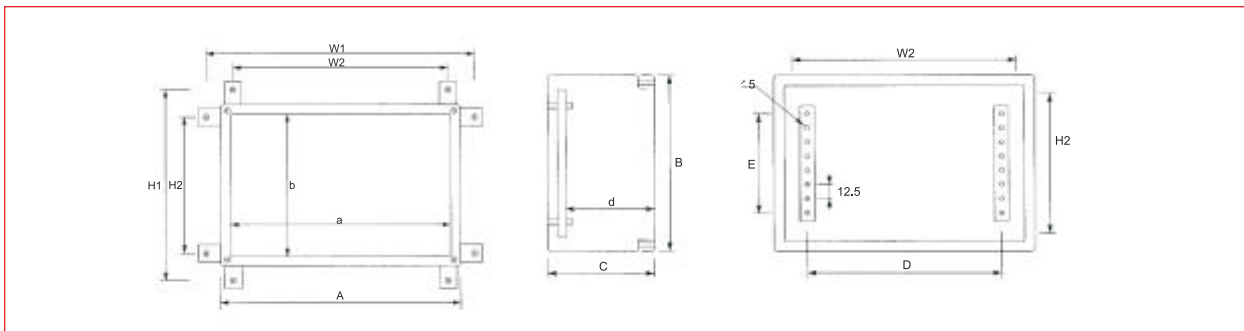
As a standard tapped brackets are provided inside - facilitating DIN rail mounting ● Wall mounting brackets are provided for a rigid mounting position ● Screwed Top cover is provided as standard. Optional hinged door can also be provided ● In case of IP55 Terminal boxes, 2 Nos. Holes for cable entry are provided both on Top and bottom cover. To prevent ingress these are plugged with rubber gromets. ● Terminal Boxes are fabricated using 1.2 mm thick CRCA sheet steel.

## Terminal Box IP 55



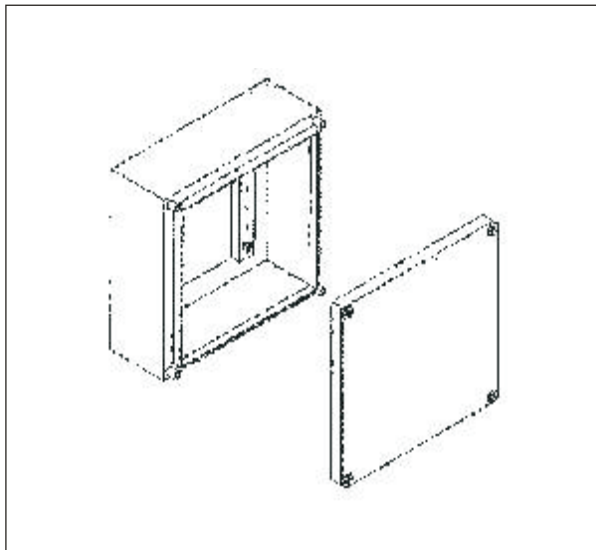
Cat. No.	Box Size( W x H x D ) mm	Weight (Kg)
BIL - 70000	150 x 150 x 80	1.30
BIL - 70010	300 x 150 x 80	2.82
BIL - 70020	200 x 200 x 80	2.41
BIL - 70030	300 x 200 x 80	2.85
BIL - 70040	150 x 150 x 120	1.70
BIL - 70050	300 x 150 x 120	2.64
BIL - 70060	200 x 200 x 120	3.12
BIL - 70070	300 x 200 x 120	3.72
BIL - 70080	400 x 200 x 120	3.80
BIL - 70090	300 x 300 x 120	4.01
BIL - 70180	400 x 300 x 120	5.00
BIL - 70190	400 x 400 x 120	6.50
BIL - 70200	500 x 200 x 120	5.00
BIL - 70210	500 x 300 x 120	6.00
BIL - 70220	600 x 200 x 120	5.00
BIL - 70230	600 x 300 x 120	6.80
BIL - 70240	600 x 400 x 120	8.00
BIL - 70250	800 x 200 x 120	6.50
BIL - 70260	800 x 400 x 120	10.00

## Mounting Details



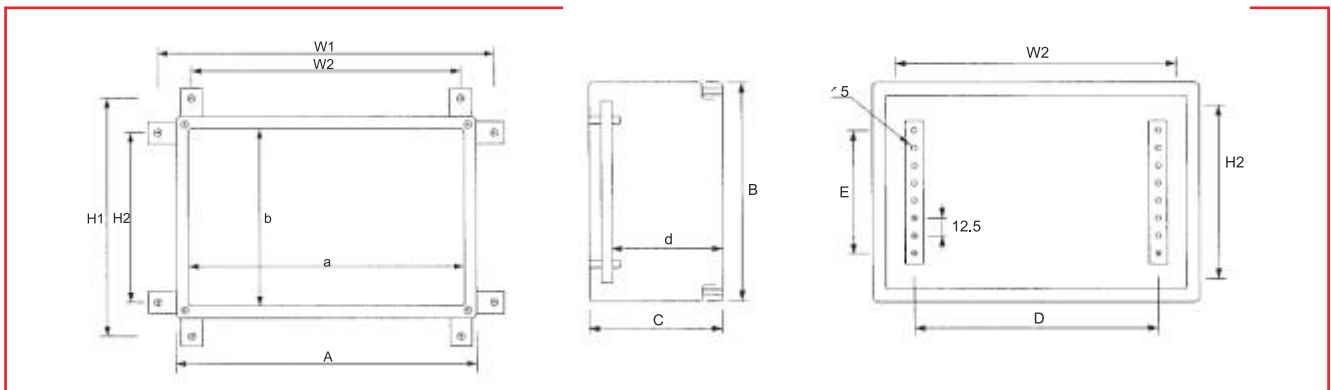
CAT. NO.	OVERALL SIZE					OPENING SIZE			MOUNTING POSITION							
	A	B	C	D	E	a	b	d	W1	W2	H1	H2				
BIL - 70000	150	x	150	x	80	x	75	x	75	125	125	63	190	110	190	110
BIL - 70010	300	x	150	x	80	x	225	x	75	275	125	63	340	260	190	110
BIL - 70020	200	x	200	x	80	x	25	x	125	175	175	63	240	160	240	160
BIL - 70030	300	x	200	x	80	x	225	x	125	275	175	63	340	260	240	160
BIL - 70040	150	x	150	x	120	x	75	x	75	125	125	103	190	110	190	110
BIL - 70050	300	x	150	x	120	x	225	x	75	275	125	103	340	260	190	110
BIL - 70060	200	x	200	x	120	x	25	x	125	175	175	103	240	160	240	160
BIL - 70070	300	x	200	x	120	x	225	x	125	275	175	103	340	260	240	160
BIL - 70080	400	x	200	x	120	x	325	x	125	375	175	103	440	360	240	160
BIL - 70090	300	x	300	x	120	x	225	x	225	275	275	103	340	260	340	260
BIL - 70180	400	x	300	x	120	x	325	x	225	375	275	103	440	360	340	260
BIL - 70190	400	x	400	x	120	x	325	x	325	375	375	103	440	360	440	360
BIL - 70200	500	x	200	x	120	x	425	x	125	475	175	103	540	460	240	160
BIL - 70210	500	x	300	x	120	x	425	x	225	475	275	103	540	460	340	260
BIL - 70220	600	x	200	x	120	x	525	x	125	575	175	103	640	560	240	160
BIL - 70230	600	x	300	x	120	x	525	x	225	575	275	103	640	560	340	260
BIL - 70240	600	x	400	x	120	x	525	x	325	575	375	103	640	560	440	360
BIL - 70250	800	x	200	x	120	x	725	x	125	775	175	103	840	760	240	160
BIL - 70260	800	x	400	x	120	x	725	x	325	775	375	103	840	760	440	360

## Terminal Box IP 66



Cat. No.	Box Size ( W x H x D ) mm	Weight (Kg)
BIL - 80000	150 x 150 x 80	1.30
BIL - 80100	200 x 150 x 80	1.80
BIL - 80010	300 x 150 x 80	2.82
BIL - 80020	200 x 200 x 80	2.41
BIL - 80030	300 x 200 x 80	2.85
BIL - 80110	400 x 200 x 80	3.52
BIL - 80130	600 x 200 x 80	4.81
BIL - 80040	150 x 150 x 120	1.70
BIL - 80150	200 x 150 x 120	2.60
BIL - 80050	300 x 150 x 120	2.64
BIL - 80060	200 x 200 x 120	3.12
BIL - 80070	300 x 200 x 120	3.72
BIL - 80090	300 x 300 x 120	4.01
BIL - 80170	400 x 150 x 120	3.80
BIL - 80080	400 x 200 x 120	3.80
BIL - 80180	400 x 300 x 120	5.00
BIL - 80190	400 x 400 x 120	6.50
BIL - 80200	500 x 200 x 120	5.00
BIL - 80210	500 x 300 x 120	6.00
BIL - 80220	600 x 200 x 120	5.00
BIL - 80230	600 x 300 x 120	6.80
BIL - 80240	600 x 400 x 120	8.00
BIL - 80250	800 x 200 x 120	6.50
BIL - 80260	800 x 400 x 120	10.00

### Mounting Details



CAT. NO.	OVERALL SIZE					OPENING SIZE			MOUNTING POSITION			
	A	B	C	D	E	a	b	d	W1	W2	H1	H2
BIL - 80000	150	150	80	75	75	125	125	63	190	110	190	110
BIL - 80100	200	150	80	125	75	175	125	63	240	160	190	110
BIL - 80010	300	150	80	225	75	275	125	63	340	260	190	110
BIL - 80020	200	200	80	25	125	175	175	63	240	160	240	160
BIL - 80030	300	200	80	225	125	275	175	63	340	260	240	160
BIL - 80110	400	200	80	325	125	375	175	63	440	360	240	160
BIL - 80130	600	200	80	525	125	575	175	63	640	560	240	160
BIL - 80040	150	150	120	75	75	125	125	103	190	110	190	110
BIL - 80150	200	150	120	125	75	175	125	103	240	160	190	110
BIL - 80050	300	150	120	225	75	275	125	103	340	260	190	110
BIL - 80060	200	200	120	25	125	175	175	103	240	160	240	160
BIL - 80070	300	200	120	225	125	275	175	103	340	260	240	160
BIL - 80090	300	300	120	225	225	275	275	103	340	260	340	260
BIL - 80170	400	150	120	325	75	375	125	103	440	360	190	110
BIL - 80080	400	200	120	325	125	375	175	103	440	360	240	160
BIL - 80180	400	300	120	325	225	375	275	103	440	360	340	260
BIL - 80190	400	400	120	325	325	375	375	103	440	360	440	360
BIL - 80200	500	200	120	425	125	475	175	103	540	460	240	160
BIL - 80210	500	300	120	425	225	475	275	103	540	460	340	260
BIL - 80220	600	200	120	525	125	575	175	103	640	560	240	160
BIL - 80230	600	300	120	525	225	575	275	103	640	560	340	260
BIL - 80240	600	400	120	525	325	575	375	103	640	560	440	360
BIL - 80250	800	200	120	725	125	775	175	103	840	760	240	160
BIL - 80260	800	400	120	725	325	775	375	103	840	760	440	360